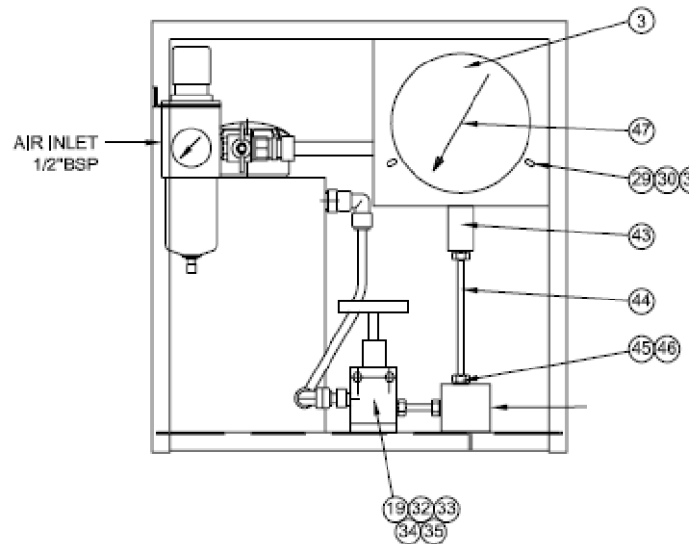


LAYOUT OF HYDRAULIC PIPEWORK

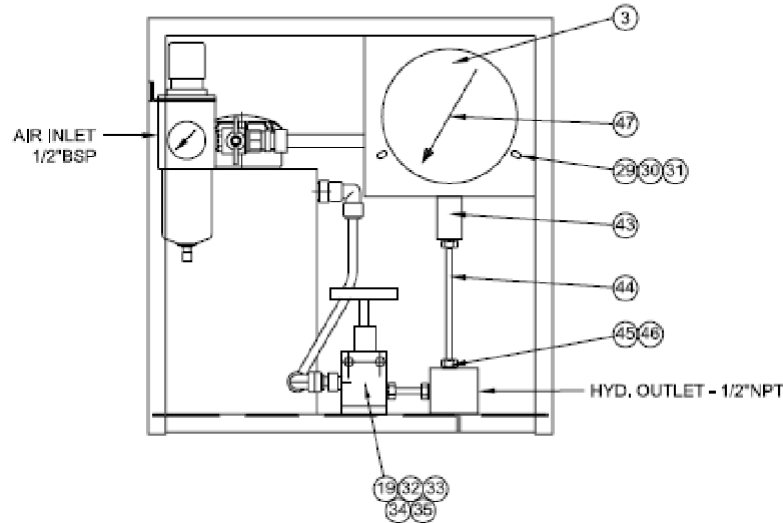
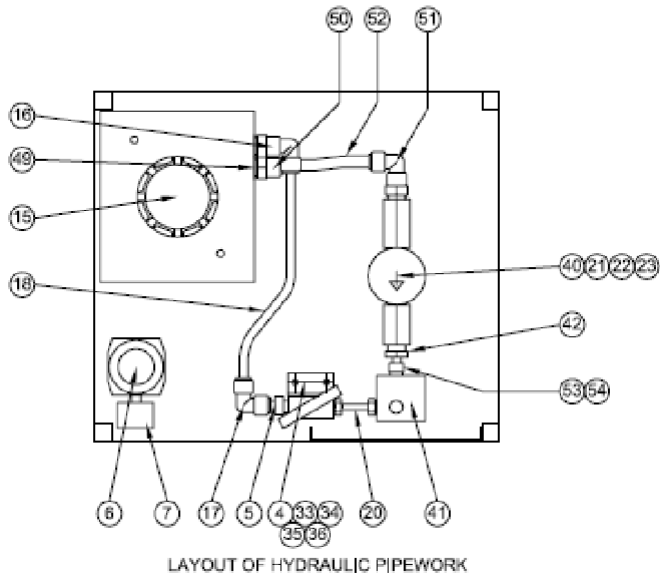
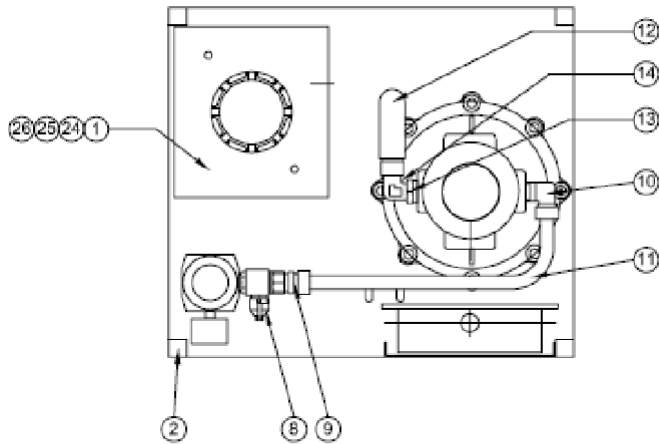


1	AHP10-425-1	7.5L TANK	1
2	AHP2-036-237-2	FRAME	1
3	AHP10-425-3	GAUGE GUARD	1
4	AHP10-425-4	GAUGE BRACKET	1
5	AHP10-425-5	ADAPTOR	1
6	AHP2-036-237-6	FILTER REGULATOR LUBRICATOR	1
7	AHP10-425-7	0-10 BAR AIR GAUGE	1
8	AHP10-425-8	AIR ON/OFF VALVE	1
9	AHP10-425-9	1/2" O/D MALE COUPLING	1
10	AHP10-425-10	1/2" O/D MALE ELBOW	1
11	AHP2-036-237-11	COPPER TUBE TO FIT	1
12	AHP10-425-12	SILENCER	1
13	AHP2-036-237-13	REDUCING BUSH	1
14	AHP2-036-237-14	1/2" MALE/ FEMALE ELBOW	1
15	AHP10-425-14	FILLER/ BREATHER	1
16	AHP10-425-15	3/8" O/D X 3/8" BSP MALE ELBOW	1
17	AHP10-425-16	3/8" O/D EQUAL ELBOW	1
18	AHP10-425-17	3/8" O/D NYLON TUBE	1
19	AHP10-425-18	PRESSURE RELEASE VALVE	1
20	AHP10-425-19	1/4 O/D NIPPLE X 2.75 LONG	1
21	AHP10-425-20	HEX HEAD SET SCREW	2
22	AHP10-425-21	PLAIN WASHER	2
23	AHP10-425-22	SPRING WASHER	2
24	AHP10-425-23	HEX HEAD SET SCREW	2
25	AHP10-425-24	PLAIN WASHER	2
26	AHP10-425-25	SPRING WASHER	2
27	AHP10-425-26	LABEL	1
28	AHP10-425-27	DRIVE PIN	2
29	AHP10-425-28	BUTTON HEAD S/S SCREW	2
30	AHP10-425-29	S/S NUT	2
31	AHP10-425-30	S/S WASHER	2
32	AHP10-425-31	HEX HEAD S/S SCREW	2
33	AHP10-425-32	S/S PLAIN WASHER	5
34	AHP10-425-33	S/S SPRING WASHER	4
35	AHP10-425-34	S/ NUT	4
36	AHP10-425-35	HEX HEAD SCREW	2
40	AHP2-036P-40	PUMP	1
41	AHP10-58-41	OUTLET BLOCK	1
42	AHP2-060P-42	ADAPTOR 1/2" NPT X 1M6	1
43	AHP10-103-43	GAUGE ADAPTOR	1
44	AHP2-036P-44	GAUGE PIPE	1
45	AHP10-425-45	GLAND NUT	1
46	AHP10-425-46	COLLAR	1
47	AHP2-060P-47	GAUGE	1
49	AHP2-060P-49	REDUCING BUSH	1
50	AHP2-060P-50	STRAIGHT CONN	1
51	AHP2-060P-51	SWIVEL ELBOW	1
52	AHP2-060P-52	NYLON TUBE	1
53	AHP2-060P-53	GLAND NUT	1
54	AHP10-54	COLLAR	1

IMPORTANT

WHEN ORDERING SPARES YOU MUST STATE THE FULL PART NUMBER AND THE PRODUCT SERIAL NUMBER - FROM THE LABEL TO PROTECT YOUR WARRANTY ALWAYS USE GENUINE HI-FORCE PARTS.

LAYOUT OF PNEUMATIC PIPEWORK

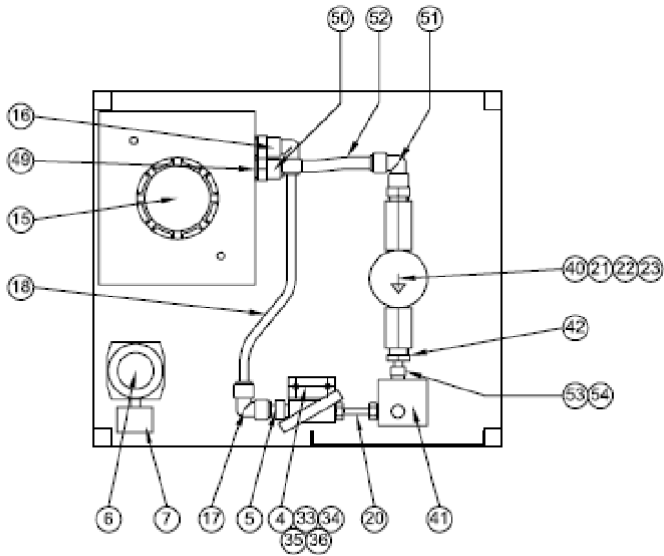
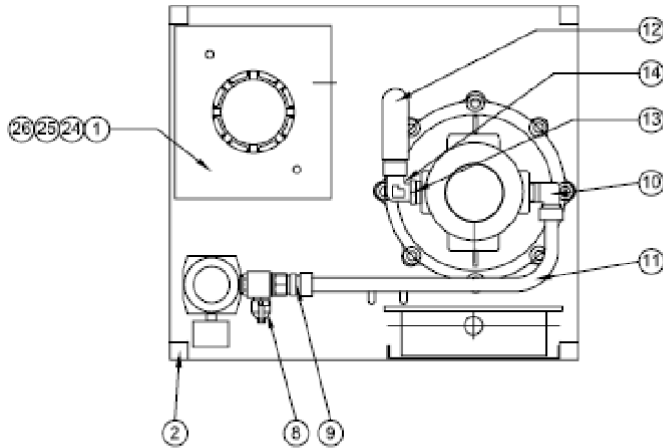


1	AHP10-425-1	7.5L TANK	1
2	AHP2-036-237-2	FRAVE	1
3	AHP10-425-3	GAUGE GUARD	1
4	AHP10-425-4	GAUGE BRACKET	1
5	AHP10-425-5	ADAPTOR	1
6	AHP2-036-237-6	FILTER REGULATOR LUBRICATOR	1
7	AHP10-425-7	0-10 BAR AIR GAUGE	1
8	AHP10-425-8	AIR ON/OFF VALVE	1
9	AHP10-425-9	1/2" O/D MALE COUPLING	1
10	AHP10-425-10	1/2" O/D MALE ELBOW	1
11	AHP2-036-237-11	COPPER TUBE TO FIT	1
12	AHP10-425-12	SILENCER	1
13	AHP2-036-237-13	REDUCING BUSH	1
14	AHP2-036-237-14	1/2" MALE/ FEMALE ELBOW	1
15	AHP10-425-14	FILLER/ BREATHER	1
16	AHP10-425-15	3/8" O/D X 3/8" BSP MALE ELBOW	1
17	AHP10-425-16	3/8" O/D EQUAL ELBOW	1
18	AHP10-425-17	3/8" O/D NYLON TUBE	1
19	AHP10-425-18	PRESSURE RELEASE VALVE	1
20	AHP10-425-19	1/4 O/D NIPPLE X 2.75 LONG	1
21	AHP10-425-20	HEX HEAD SET SCREW	2
22	AHP10-425-21	PLAIN WASHER	2
23	AHP10-425-22	SPRING WASHER	2
24	AHP10-425-23	HEX HEAD SET SCREW	2
25	AHP10-425-24	PLAIN WASHER	2
26	AHP10-425-25	SPRING WASHER	2
27	AHP10-425-26	LABEL	1
28	AHP10-425-27	DRIVE PIN	2
29	AHP10-425-28	BUTTON HEAD S/S SCREW	2
30	AHP10-425-29	S/S NUT	2
31	AHP10-425-30	S/S WASHER	2
32	AHP10-425-31	HEX HEAD S/S SCREW	2
33	AHP10-425-32	S/S PLAIN WASHER	5
34	AHP10-425-33	S/S SPRING WASHER	4
35	AHP10-425-34	S/ NUT	4
36	AHP10-425-35	HEX HEAD SCREW	2
40	AHP2-097P-40	PUMP	1
41	AHP10-58-41	OUTLET BLOCK	1
42	AHP2-060P-42	ADAPTOR 1/2" NPT X LM6	1
43	AHP10-103-43	GAUGE ADAPTOR	1
44	AHP2-036P-44	GAUGE PIPE	1
45	AHP10-425-45	GLAND NUT	1
46	AHP10-425-46	COLLAR	1
47	AHP2-097P-47	GAUGE	1
49	AHP2-060P-49	REDUCING BUSH	1
50	AHP2-060P-50	STRAIGHT CONN	1
51	AHP2-060P-51	SWIVEL ELBOW	1
52	AHP2-060P-52	NYLON TUBE	1
53	AHP2-060P-53	GLAND NUT	1
54	AHP10-54	COLLAR	1

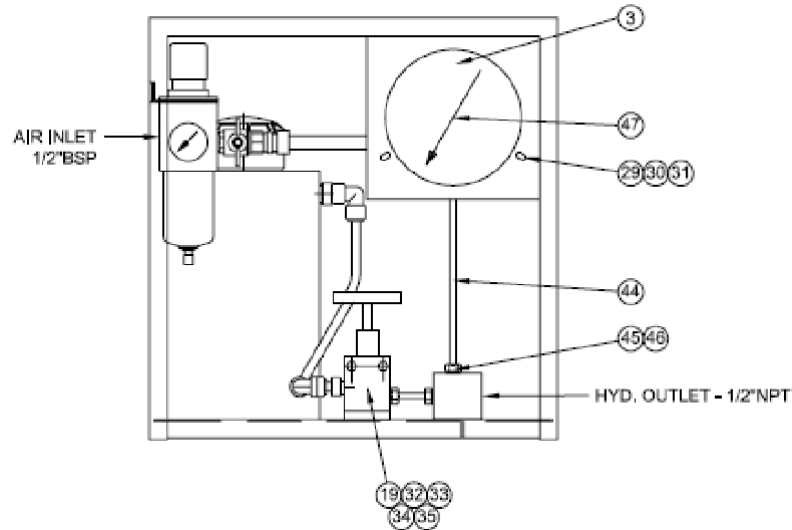
IMPORTANT

WHEN ORDERING SPARES YOU MUST STATE THE FULL PART NUMBER AND THE PRODUCT SERIAL NUMBER - FROM THE LABEL TO PROTECT YOUR WARRANTY ALWAYS USE GENUINE HI-FORCE PARTS.

LAYOUT OF PNEUMATIC PIPEWORK



LAYOUT OF HYDRAULIC PIPEWORK

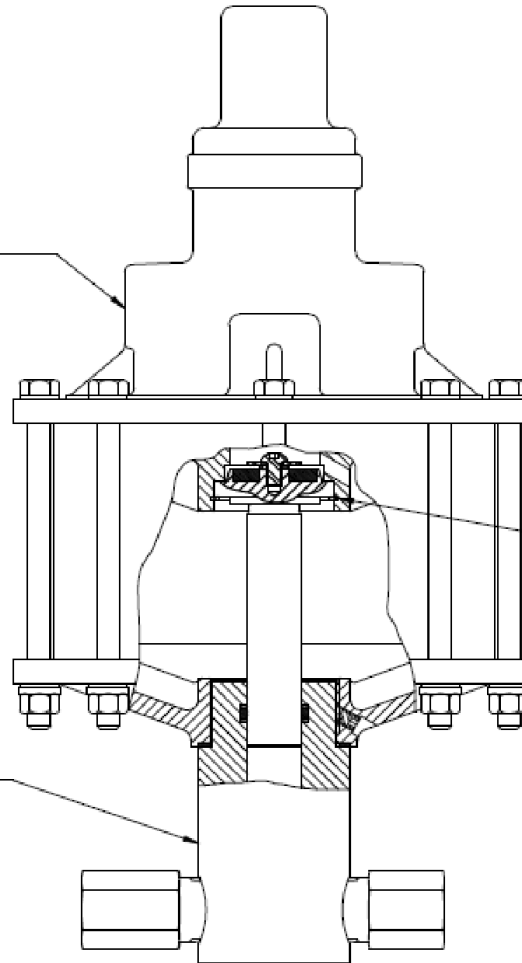


1	AHP10-425-1	7.5L TANK	1
2	AHP2-036-237-2	FRAME	1
3	AHP10-425-3	GAUGE GUARD	1
4	AHP10-425-4	GAUGE BRACKET	1
5	AHP10-425-5	ADAPTOR	1
6	AHP2-036-237-6	FILTER REGULATOR LUBRICATOR	1
7	AHP10-425-7	0-10 BAR AIR GAUGE	1
8	AHP10-425-8	AIR ON/OFF VALVE	1
9	AHP10-425-9	1/2" O/D MALE COUPLING	1
10	AHP10-425-10	1/2" O/D MALE ELBOW	1
11	AHP2-036-237-11	COPPER TUBE TO FIT	1
12	AHP10-425-12	SILENCER	1
13	AHP2-036-237-13	REDUCING BUSH	1
14	AHP2-036-237-14	1/2" MALE/ FEMALE ELBOW	1
15	AHP10-425-14	FILLER/ BREATHER	1
16	AHP10-425-15	3/8" O/D X 3/8" BSP MALE ELBOW	1
17	AHP10-425-16	3/8" O/D EQUAL ELBOW	1
18	AHP10-425-17	3/8" O/D NYLON TUBE	1
19	AHP10-425-18	PRESSURE RELEASE VALVE	1
20	AHP10-425-19	1/4 O/D NIPPLE X 2.75 LONG	1
21	AHP10-425-20	HEX HEAD SET SCREW	2
22	AHP10-425-21	PLAIN WASHER	2
23	AHP10-425-22	SPRING WASHER	2
24	AHP10-425-23	HEX HEAD SET SCREW	2
25	AHP10-425-24	PLAIN WASHER	2
26	AHP10-425-25	SPRING WASHER	2
27	AHP10-425-26	LABEL	1
28	AHP10-425-27	DRIVE PIN	2
29	AHP10-425-28	BUTTON HEAD S/S SCREW	2
30	AHP10-425-29	S/S NUT	2
31	AHP10-425-30	S/S WASHER	2
32	AHP10-425-31	HEX HEAD S/S SCREW	2
33	AHP10-425-32	S/S PLAIN WASHER	5
34	AHP10-425-33	S/S SPRING WASHER	4
35	AHP10-425-34	S/ NUT	4
36	AHP10-425-35	HEX HEAD SCREW	2
40	AHP2-144P-40	PUMP	1
41	AHP10-58-41	OUTLET BLOCK	1
42	AHP2-060P-42	ADAPTOR 1/2" NPT X LM6	1
44	AHP2-036P-44	GAUGE PIPE	1
45	AHP10-425-45	GLAND NUT	1
46	AHP10-425-46	COLLAR	1
47	AHP2-144P-47	GAUGE	1
49	AHP2-060P-49	REDUCING BUSH	1
50	AHP2-060P-50	STRAIGHT CONN	1
51	AHP2-060P-51	SWIVEL ELBOW	1
52	AHP2-060P-52	NYLON TUBE	1
53	AHP2-060P-53	GLAND NUT	1
54	AHP10-54	COLLAR	1

IMPORTANT

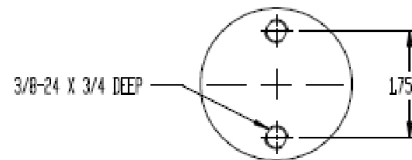
WHEN ORDERING SPARES YOU MUST STATE THE FULL PART NUMBER AND THE PRODUCT SERIAL NUMBER - FROM THE LABEL TO PROTECT YOUR WARRANTY ALWAYS USE GENUINE HI-FORCE PARTS.

AIR MOTOR ASSEMBLY
AHP2-036-237AM



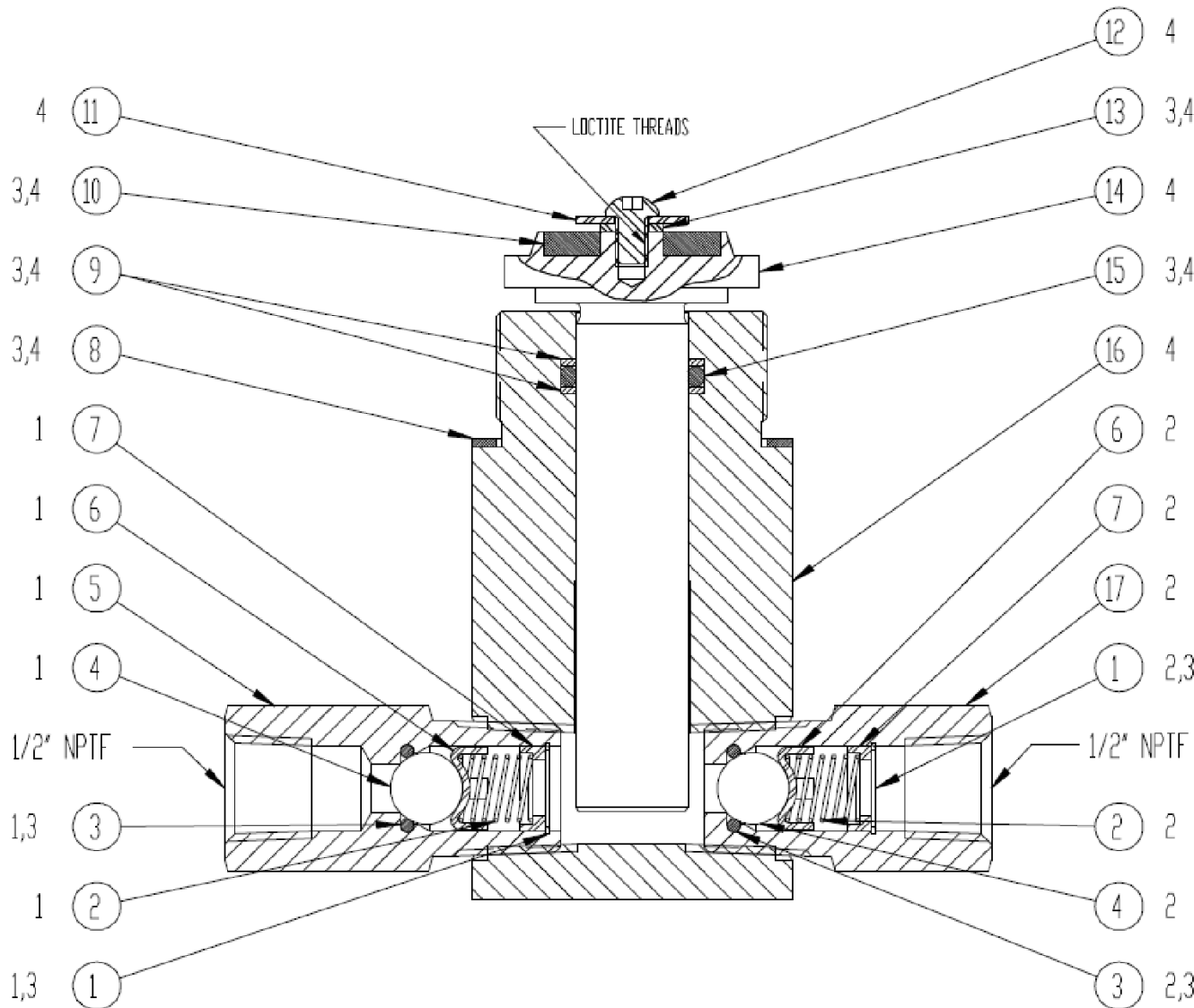
RETAINING RING
AHP10-425AM-22

HYDRAULIC ASSEMBLY
AHP2-060H
AHP2-097H
AHP2-144H



IMPORTANT

WHEN ORDERING SPARES YOU MUST STATE THE FULL PART NUMBER AND THE
PRODUCT SERIAL NUMBER - FROM THE LABEL
TO PROTECT YOUR WARRANTY ALWAYS USE GENUINE HI-FORCE PARTS.



	AHP2-060H	AHP2-060	
	AHP2-097H	AHP2-097	
	AHP2-144H	AHP2-144	
	AHP2-060HK	HYDRAULIC REPAIR KIT AHP2-060	
	AHP2-097HK	HYDRAULIC REPAIR KIT AHP2-097	
	AHP2-144HK	HYDRAULIC REPAIR KIT AHP2-144	
1	AHP26-107H-1	RETAINING RING	2
2	AHP26-107H-2	SPRING	2
3	AHP26-107H-3	O-RING	2
4	AHP26-107H-4	CHECK BALL	2
5	AHP26-107H-5	SEAT-INLET	1
5A	AHP26-107H-5A	INLET CHECK VALVE ASSY	1
6	AHP26-107H-6	BALL GUIDE	2
7	AHP26-107H-7	SPRING GUIDE	2
8	AHP10-425H-8	GASKET	1
9	AHP36H-9	BACK UP RING (AHP2-060)	2
9	AHP58H-9	BACK UP RING (AHP2-097)	2
9	AHP2-144H-9	BACK UP RING (AHP2-144)	2
10	AHP10-425H-10	PISTON BUMPER	2
11	AHP10-425H-11	FENDER WASHER	1
12	AHP10-425H-12	BUTTON HEAD CAP SCREW	1
13	AHP	HELICAL SPRING LOCK WASHER	1
14	AHP2-060H-14	HYDRAULIC PISTON (AHP2-060)	1
14	AHP2-097H-14	HYDRAULIC PISTON (AHP2-097)	1
14	AHP2-144H-14	HYDRAULIC PISTON (AHP2-144)	1
15	AHP36H-15	O-RING (AHP2-060)	1
15	AHP58H-15	O-RING (AHP2-097)	1
15	AHP2-144H-15	O-RING (AHP2-144)	1
16	AHP58H-16	HYDRAULIC CYLINDER (AHP2-060)	1
16	AHP2-097H-16	HYDRAULIC CYLINDER (AHP2-097)	1
16	AHP2-144H-16	HYDRAULIC CYLINDER (AHP2-144)	1
17	AHP26-107H-17	SEAT-OUTLET	1
17A	AHP26-107H-17A	OUTLET CHECK VALVE ASSY	1

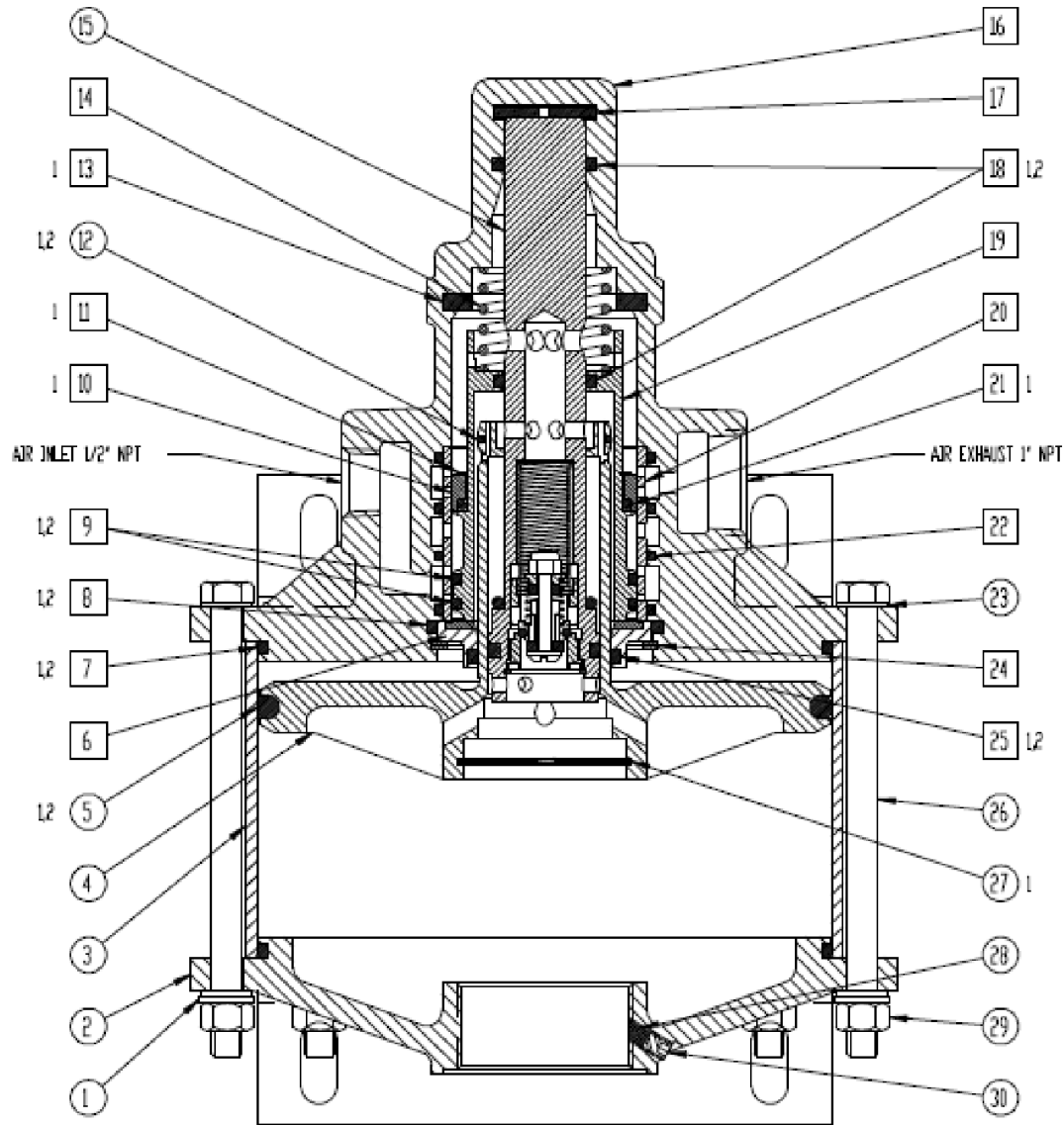
3. INCLUDED IN AHP2-###HK ONLY.

2. INCLUDED IN AHP26-107H-17A ONLY

1. INCLUDED IN AHP26-107H-5A ONLY

IMPORTANT

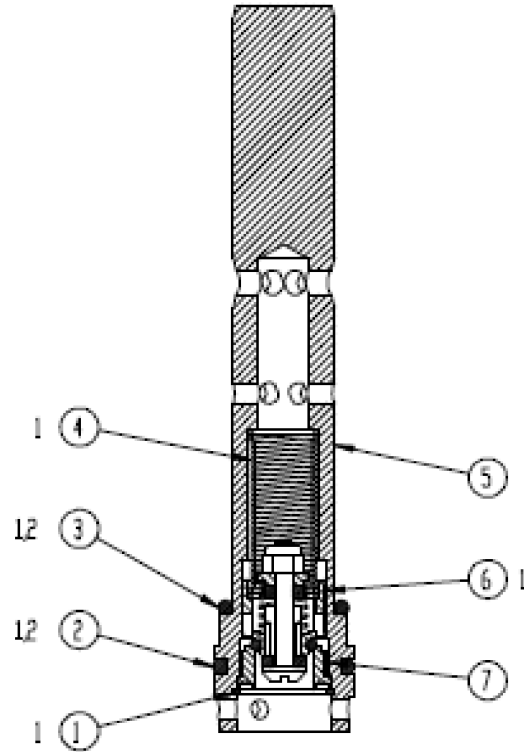
WHEN ORDERING SPARES YOU MUST STATE THE FULL PART NUMBER AND THE PRODUCT SERIAL NUMBER - FROM THE LABEL TO PROTECT YOUR WARRANTY ALWAYS USE GENUINE HI-FORCE PARTS.



1	AHP2-036-237AM-1	WASHER-LOCK	8
2	AHP2-036-237AM-2	END	1
3	AHP2-036-237AM-3	CYLINDER AIR	1
4	AHP2-036-237AM-4	PISTON AIR	1
5	AHP2-036-237AM-5	O-RING	1
6	AHP10-425AM-7	BEARING ASSEMBLY	1
7	AHP2-036-237AM-7	O-RING	2
8	AHP10-425AM-8	O-RING	1
9	AHP2-036-237AM-9	O-RING	2
10	AHP2-036-237AM-10	SEAL DRY	1
11	AHP2-036-237AM-11	RETAINING RING	1
12	AHP10-425AM-9	O-RING	1
13	AHP10-425AM-11	BUMPER	1
14	AHP2-036-237AM-14	SPRING	1
15	AHP2-036-237AM-15	PILOT VALVE ASSY	1
16	AHP2-036-237AM-16	HEAD	1
17	AHP10-425AM-15	BUMPER	1
18	AHP10-425AM-16	O-RING	2
19	AHP2-036-237AM-19	PISTON-APA	1
20	AHP2-036-237AM-20	SLEEVE-APA	1
21	AHP2-036-237AM-21	O-RING	1
22	AHP10-425AM-17	O-RING	4
23	AHP2-036-237AM-23	WASHER-FLAT	16
24	AHP10-425AM-19	RETAINING RING	1
25	AHP10-425AM-20	O-RING	1
26	AHP2-036-237AM-26	BOLT HEX	8
27	AHP10-425AM-22	RETAINING RING	1
28	AHP10-425AM-24	PLUG - BUNA	1
29	AHP2-036-237AM-29	NUT-HEX	8
30	AHP2-036-237AM-30	SET SCREW-HEX SOCKET	1
	AHP2-036-237K	SEAL KIT	1
	AHP2-036-237RK	REPAIR KIT	1
	AHP2-036-237AM	COMPLETE AIR MOTOR	1
	AHP2-036-237HD	AIR MOTOR COMPLETE HEAD	1

IMPORTANT

WHEN ORDERING SPARES YOU MUST STATE THE FULL PART NUMBER AND THE PRODUCT SERIAL NUMBER - FROM THE LABEL TO PROTECT YOUR WARRANTY ALWAYS USE GENUINE HI-FORCE PARTS.



1	AHP2-036-237PV-1	RETAINING RING	1
2	AHP10-425PV-2	O-RING	1
3	AHP10-425PV-3	O-RING	1
4	AHP2-036-237PV-4	SPRING	1
5	AHP2-036-237PV-5	valve body	1
6	AHP2-036-237PV-6	AIR CHECK ASSY	1
7	AHP10-425PV-7	SEAT	1

2. INCLUDED IN AIR MOTOR SEAL KIT: AHP2-036-237K

1. INCLUDED IN AIR MOTOR REPAIR KIT: AHP-036-237RK

IMPORTANT

WHEN ORDERING SPARES YOU MUST STATE THE FULL PART NUMBER AND THE PRODUCT SERIAL NUMBER - FROM THE LABEL TO PROTECT YOUR WARRANTY ALWAYS USE GENUINE HI-FORCE PARTS.