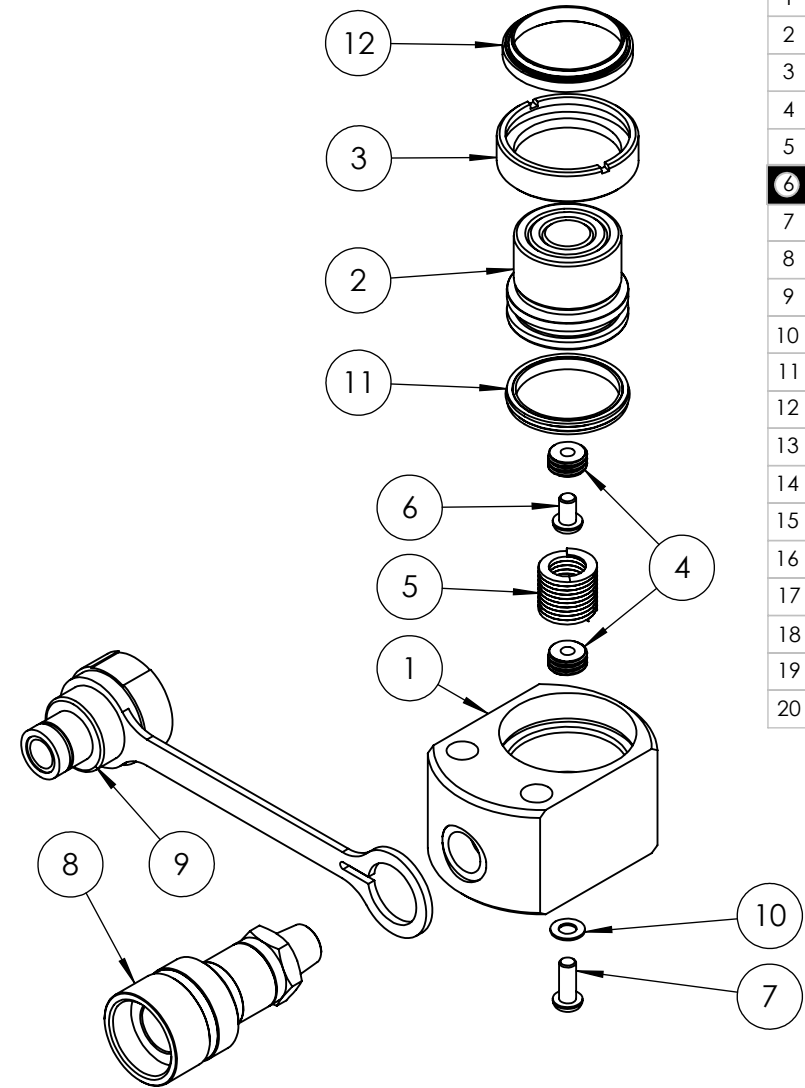


ITEM NO.	PART NUMBER	DESCRIPTION	QTY.	SPARE PART AVAILABILITY	SERVICE KIT CONTENTS
1	CBC043FA001	CYLINDER	1	X	
2	PRC043FA003	PISTON	1	X	
3	SRC038WD005	STOP RING	1		
4	SIC013TB001	INSERT	2		
5	SPC022SB001	SPRING	1		
6	BLC006JH010	M6 x 10 BUTTON HEAD SOCKET SCREW	1		
7	BLC006JH016	M6 x 16 BUTTON HEAD SOCKET SCREW	1		
8	CF1	COUPLER	1		
9	PPC1	DUST COVER	1		
10	WAC006EB000	M6 WASHER	1	X	✓
11	SEC043GA001	PISTON SEAL	1	X	✓
12	SEC038XE002	WIPER	1	X	✓



REVISION	
1	
2	3928
3	4088
4	5794
5	6307
6	6403
7	
8	
9	
10	
11	
12	
13	
14	
15	
16	
17	
18	
19	
20	

ALL PARTS AVAILABLE TO ORDER AS AN INDIVIDUAL SPARE PART UNLESS MARKED "X"

PARTS MARKED ✓ ARE ONLY AVAILABLE IN SERVICE KIT HPS10TP2-K

NOTE: IF SPRING IS REPLACED, INSERTS SHOULD ALSO BE REPLACED

IMPORTANT
WHEN ORDERING SPARES YOU MUST STATE THE FULL PART NUMBER AND THE PRODUCT SERIAL NUMBER - FROM THE LABEL
TO PROTECT YOUR WARRANTY ALWAYS USE GENUINE HI-FORCE PARTS.