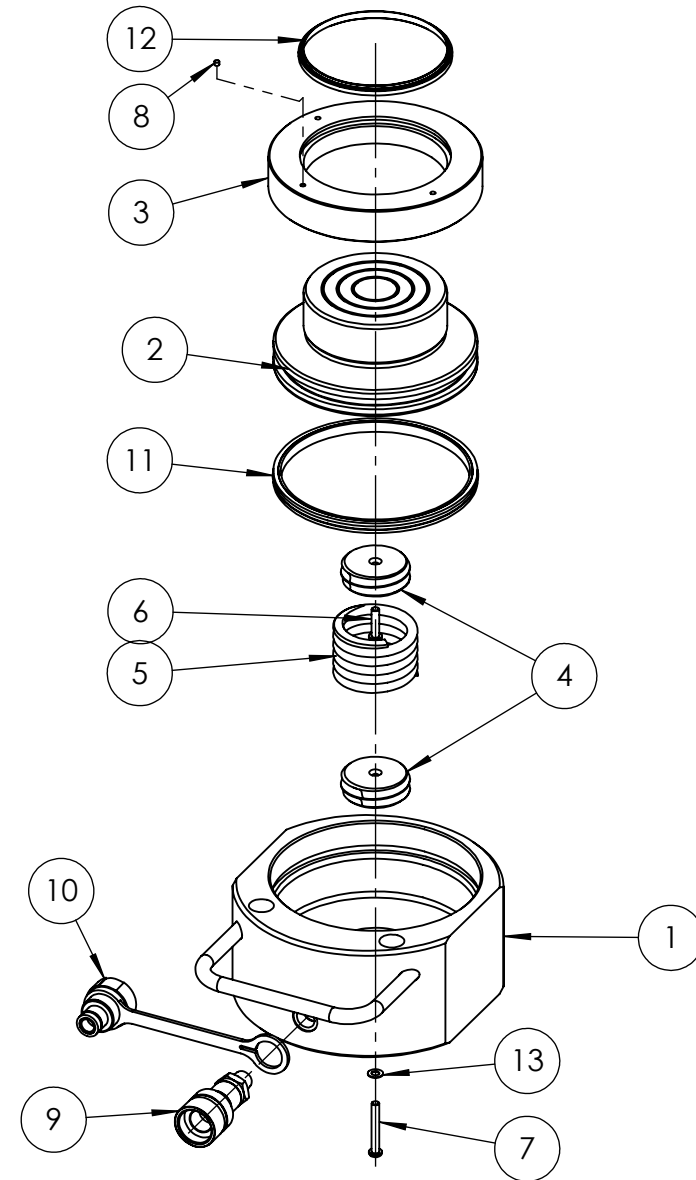


ITEM NO.	PART NUMBER	DESCRIPTION	QTY.	SPARE PART AVAILABILITY	SERVICE KIT CONTENTS
1	CBS162FB002	CYLINDER	1	X	
2	PRC162FB003	PISTON	1	X	
3	SRC114WP002	STOP RING	1		
4	SIC050TD002	INSERT	2		
5	SPC067TC001	TENSION SPRING	1		
6	BLC006JH025	M6 x 25mm HEX SOCKET BUTTON HEAD SCREW	1		
7	BLC006JH045	M6 x 45mm BUTTON HEAD SOCKET SCREW	1		
8	FFC004RC001	FILTER	1		
9	CF1	COUPLER	1		
10	PPC1	DUST COVER	1		
11	SEC162GA001	PISTON SEAL	1	X	✓
12	SEC114XE004	WIPER	1	X	✓
13	WAC006EB000	M6 WASHER	1	X	✓

ALL PARTS AVAILABLE TO ORDER AS AN INDIVIDUAL SPARE PART UNLESS MARKED "X"

PARTS MARKED ✓ ARE ONLY AVAILABLE IN SERVICE KIT HPS150TP2-K

NOTE: IF SPRING IS REPLACED, INSERTS SHOULD ALSO BE REPLACED



REVISION

1	
2	3928
3	4088
4	5794
5	6307
6	6406
7	
8	
9	
10	
11	
12	
13	
14	
15	
16	
17	
18	
19	
20	

IMPORTANT
WHEN ORDERING SPARES YOU MUST STATE THE FULL PART NUMBER AND THE PRODUCT SERIAL NUMBER - FROM THE LABEL
TO PROTECT YOUR WARRANTY ALWAYS USE GENUINE HI-FORCE PARTS.