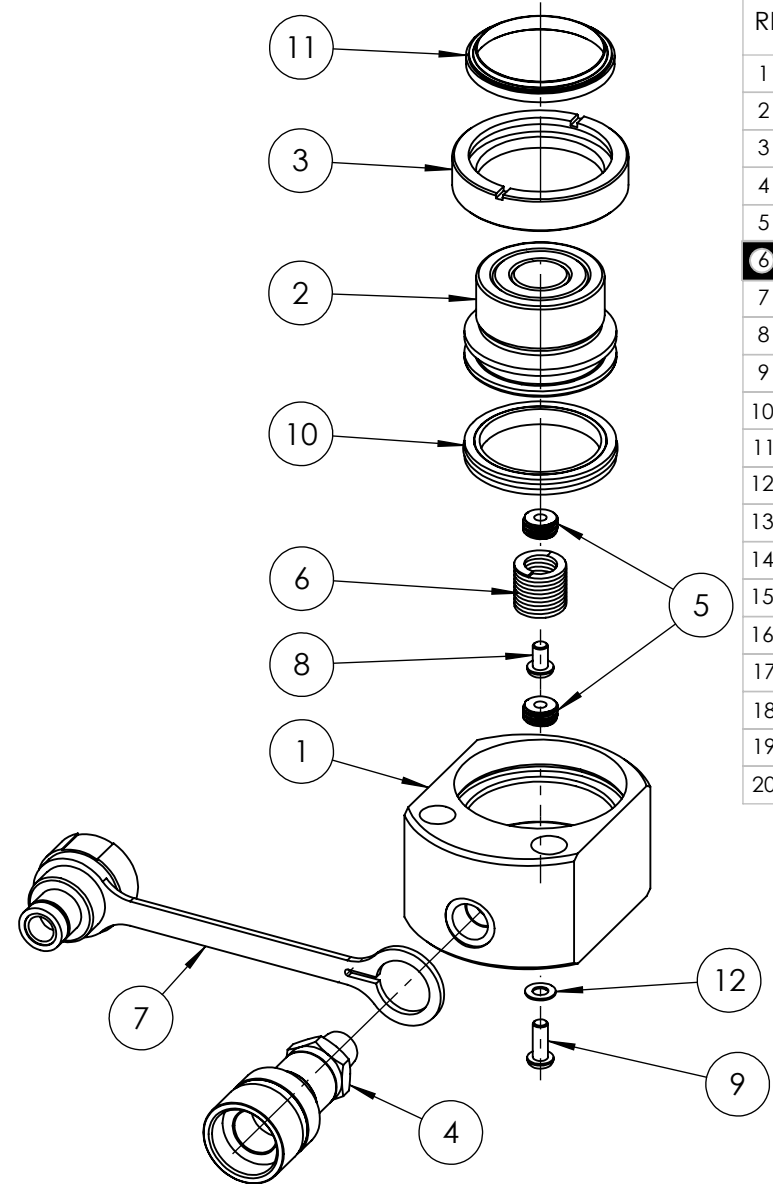


ITEM NO.	PART NUMBER	DESCRIPTION	QTY.	SPARE PART AVAILABILITY	SERVICE KIT CONTENTS
1	CBC060FA001	CYLINDER	1	X	
2	PRC060FA002	PISTON	1	X	
3	SRC051WF003	STOP RING	1		
4	CF1	COUPLER	1		
5	SIC013TB001	INSERT	2		
6	SPC022SB001	SPRING	1		
7	PPC1	DUST COVER	1		
8	BLC006JH010	M6 x 10 BUTTON HEAD SOCKET SCREW	1		
9	BLC006JH016	M6 x 16 BUTTON HEAD SOCKET SCREW	1		
10	SEC060GA001	PISTON SEAL	1	X	✓
11	SEC051XE003	WIPER	1	X	✓
12	WAC006EB000	M6 WASHER	1	X	✓

ALL PARTS AVAILABLE TO ORDER AS AN INDIVIDUAL SPARE PART UNLESS MARKED "X"

PARTS MARKED ✓ ARE ONLY AVAILABLE IN SERVICE KIT HPS20TP2-K

NOTE: IF SPRING IS REPLACED, INSERTS SHOULD ALSO BE REPLACED



REVISION

1	
2	3928
3	4088
4	5794
5	6307
6	6403
7	
8	
9	
10	
11	
12	
13	
14	
15	
16	
17	
18	
19	
20	

IMPORTANT

WHEN ORDERING SPARES YOU MUST STATE THE FULL PART NUMBER AND THE PRODUCT SERIAL NUMBER - FROM THE LABEL TO PROTECT YOUR WARRANTY ALWAYS USE GENUINE HI-FORCE PARTS.