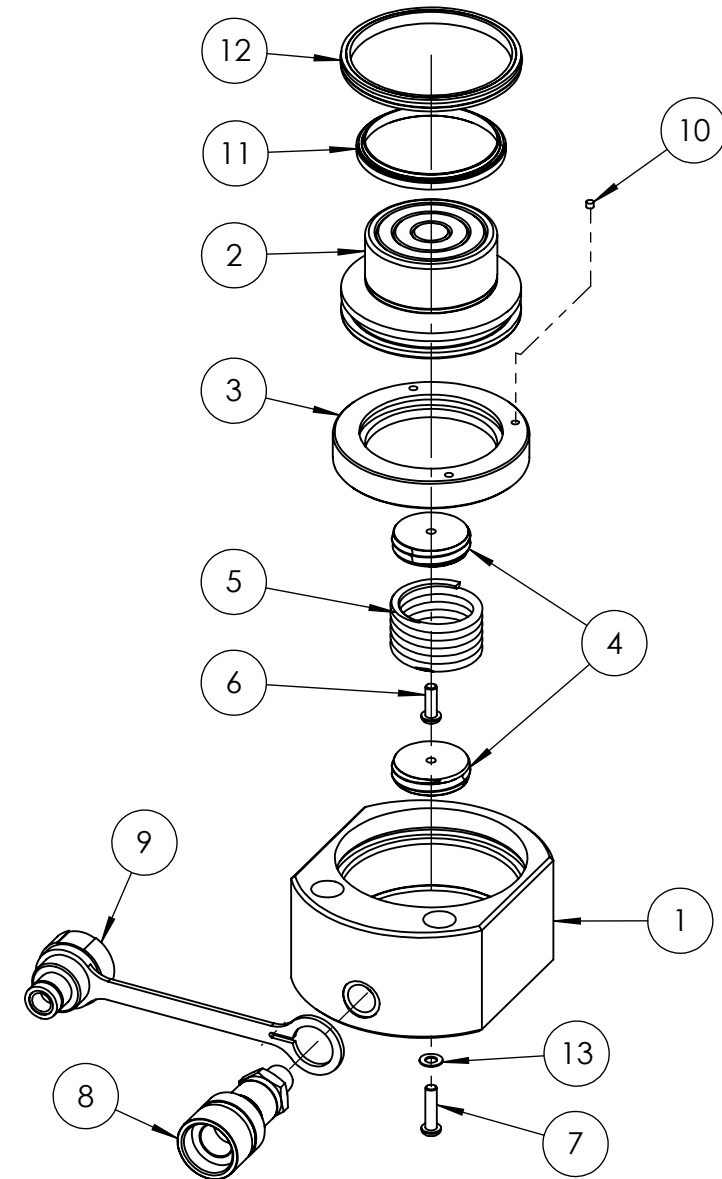


ITEM NO.	PART NUMBER	DESCRIPTION	QTY.	SPARE PART AVAILABILITY	SERVICE KIT CONTENTS
1	CBC095FA001	CYLINDER	1	X	
2	PRC095FA004	PISTON	1	X	
3	SRC070WJ002	STOP RING	1		
4	SIC040TB001	INSERT	2		
5	SPC049TC001	TENSION SPRING	1		
6	BLC006JH018	M6 x 18 SOCKET BUTTON HEAD SCREW	1		
7	BLC006JH025	M6 x 25mm HEX SOCKET BUTTON HEAD SCREW	1		
8	CF1	COUPLER	1		
9	PPC1	DUST COVER	1		
10	FFC004RC001	FILTER	1		
11	SEC070XE002	WIPER	1	X	✓
12	SEC095GA001	PISTON SEAL	1	X	✓
13	WAC006EB000	M6 WASHER	1	X	✓



REVISION

1	
2	3928
3	4088
4	5794
5	6307
6	6403
7	
8	
9	
10	
11	
12	
13	
14	
15	
16	
17	
18	
19	
20	

ALL PARTS AVAILABLE TO ORDER AS AN INDIVIDUAL SPARE PART UNLESS MARKED "X"

PARTS MARKED ✓ ARE ONLY AVAILABLE IN SERVICE KIT HPS50TP2-K

NOTE: IF SPRING IS REPLACED, INSERTS SHOULD ALSO BE REPLACED

**IMPORTANT**  
WHEN ORDERING SPARES YOU MUST STATE THE FULL PART NUMBER AND THE PRODUCT SERIAL NUMBER - FROM THE LABEL TO PROTECT YOUR WARRANTY ALWAYS USE GENUINE HI-FORCE PARTS.