

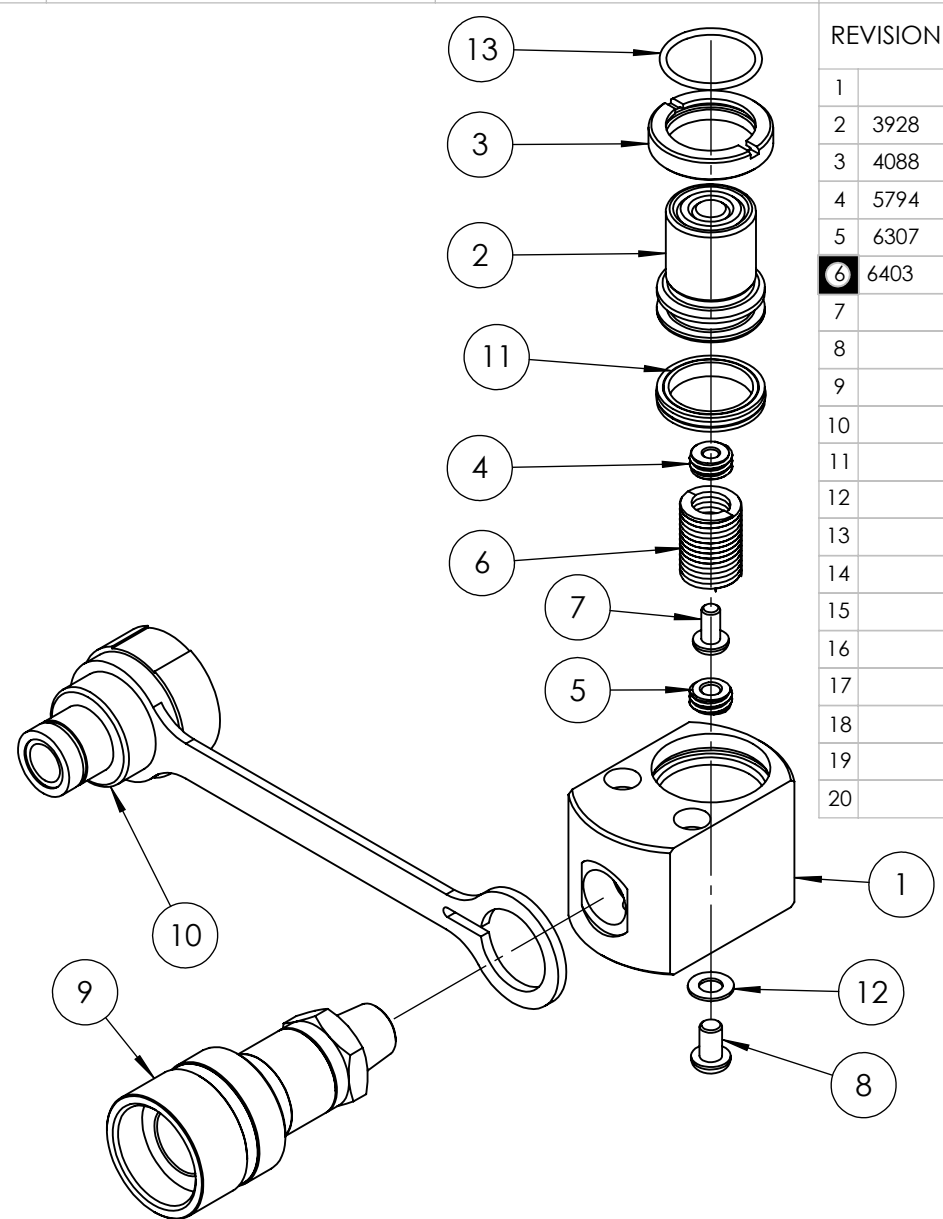
ITEM NO.	PART NUMBER	DESCRIPTION	QTY.	SPARE PART AVAILABILITY	SERVICE KIT CONTENTS
1	CBC029FB001	CYLINDER	1	X	
2	PRC029FB001	PISTON	1	X	
3	SRC024WC001	STOP RING	1		
4	SIC011TB005	INSERT	1		
5	SIC011TB004	INSERT	1		
6	SPC017SB002	TENSION SPRING	1		
7	BLC005HH010	M5 X 10 BUTTON HEAD SCREW	1		
8	BLC006JH010	M6 x 10 BUTTON HEAD SOCKET SCREW	1		
9	CF1	COUPLER	1		
10	PPC1	DUST COVER	1		
11	SEC029GA001	PISTON SEAL - O.D. 28.58 mm , I.D. 22.23 mm , H. 4.70 mm NITRILE/NYLON 70 SHORE	1	X	✓
12	WAC006EB000	M6 WASHER	1	X	✓
13	SEC024RE001	O-RING - I.D. 23.52 mm, C.S. 1.78 mm	1	X	✓

ALL PARTS AVAILABLE TO ORDER AS AN INDIVIDUAL SPARE PART UNLESS MARKED "X"

PARTS MARKED ✓ ARE ONLY AVAILABLE IN SERVICE KIT HPS5TP1-K

NOTE: IF SPRING IS REPLACED, INSERTS SHOULD ALSO BE REPLACED

[www.hi-force.com](http://www.hi-force.com)



**IMPORTANT**

WHEN ORDERING SPARES YOU MUST STATE THE FULL PART NUMBER AND THE PRODUCT SERIAL NUMBER - FROM THE LABEL TO PROTECT YOUR WARRANTY ALWAYS USE GENUINE HI-FORCE PARTS.