

**JCS | COMPACT JACKS**

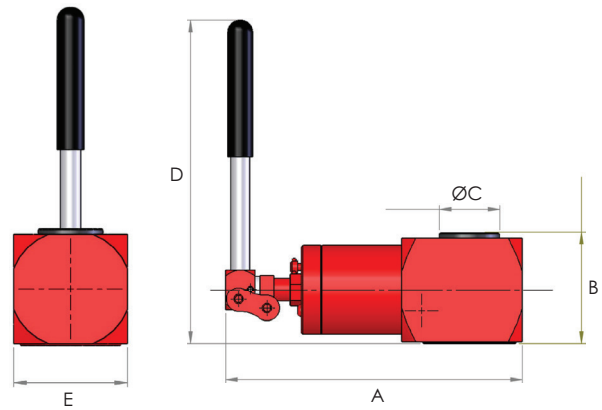


Capacities from 10 to 30 tonnes

Stroke lengths from 35 to 45 mm

Lightweight and compact

- ▶ Spring assisted piston retraction
- ▶ Nitrocarburised piston rod for corrosion resistance
- ▶ 360 degree positional pumping mechanism for increased versatility
- ▶ Internal safety overload valve



Model number	Capacity (tonnes)	Body construction	Stroke (mm)	Weight (kg)	Dimensions (mm)				
					A	B	C	D	E
JCS10	10	Steel	35	4.5	240	76	38	266	70
JCS20	20	Aluminium	41	5.5	257	102	51	281	102
JCS30	30	Aluminium	45	8.0	281	112	60	285	125