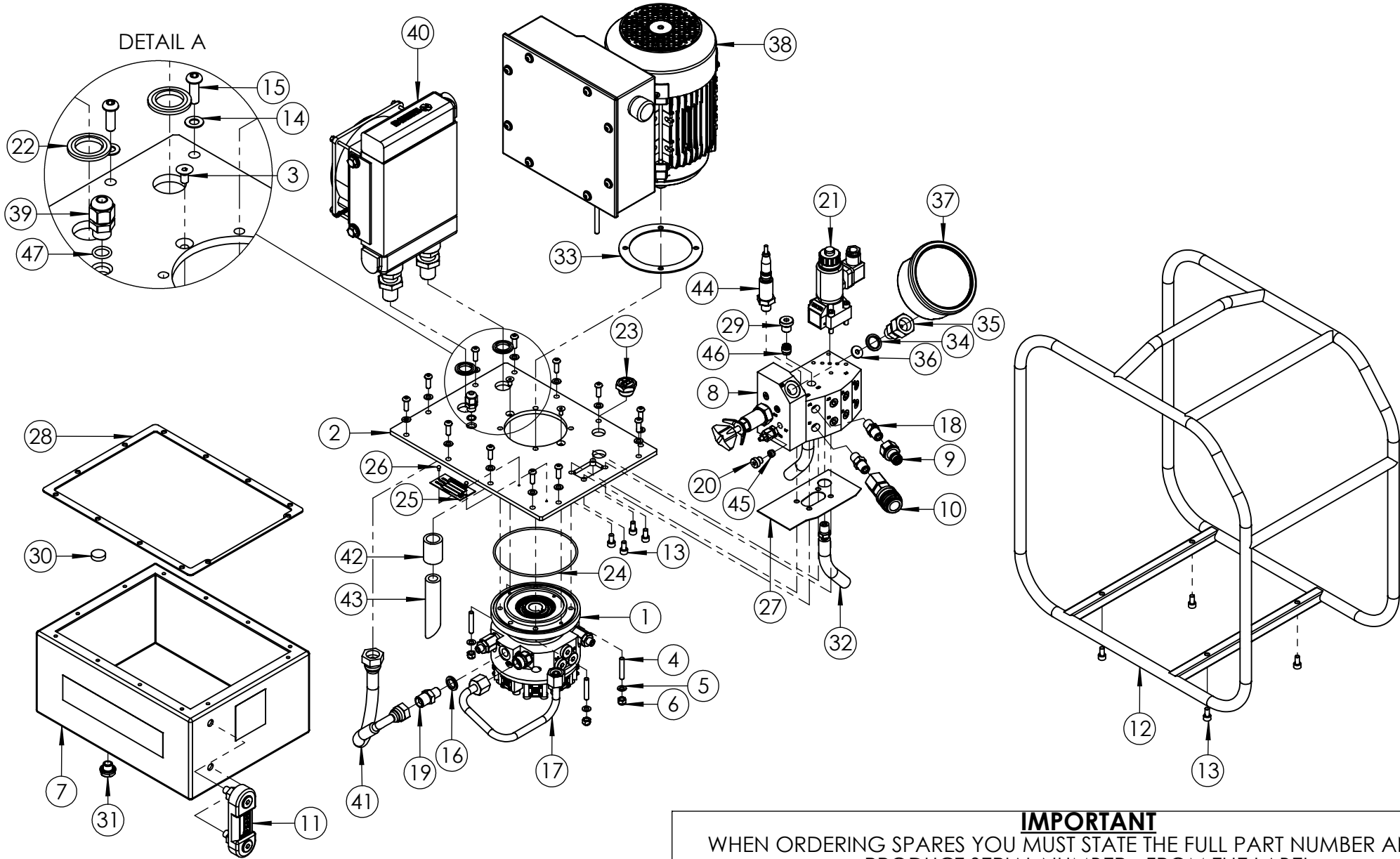


REVISION

1	4187
2	4226
3	4504
4	4753
5	6308
<b>6</b>	<b>6469</b>
7	
8	
9	
10	
11	
12	
13	
14	
15	
16	
17	
18	
19	
20	



**IMPORTANT**  
WHEN ORDERING SPARES YOU MUST STATE THE FULL PART NUMBER AND THE  
PRODUCT SERIAL NUMBER - FROM THE LABEL  
TO PROTECT YOUR WARRANTY ALWAYS USE GENUINE HI-FORCE PARTS.

ITEM NO.	PART NUMBER	DESCRIPTION	QTY.	SPARE PARTS	SERVICE PARTS
1	PMA019DT001	PUMP HEART	1		
2	TAC007BL003	TANK LID	1		
3	BLC005HF010	SOCKET CSK SCREW M5 x 10	2		
4	BLC006ST000	M6X35MM ENGINEERING STUD	4		
5	WAC006AF000	M6 ZINC WASHER	4		
6	NUC006JC000	M6 NYLOK NUT	4		
7	TAC007AL002	OIL RESERVOIR	1		
8	VFA006RN004	VALVE BLOCK	1		
9	CM4F	COUPLER	1		
10	CF4F	COUPLER	1		
11	TAC000FT006	LEVEL TEMP GAUGE	1		
12	TAC007CS003	ROLL FRAME	1		
13	BLC006JC012	M6 x 12 SOCKET CAP HEAD SCREW	8		
14	WAC006EB000	M6 WASHER	12		
15	BLC006JH018	M6 x 18 SOCKET BUTTON HEAD SCREW	12		
16	WAC007HD000	1/4" BSP SELF CENTERING BONDED WASHER	1	✘	✓
17	HOC010PS002	PRE BENT TUBE ASSEMBLY	1		
18	HF7	1/4" NPT MALE ADAPTOR	2		
19	FPC010NB001	3/8" BSP CONE MALE - 1/4" BSP CONE MALE ADAPTOR	1		
20	FPC003PB001	BLANKING PLUG	1		
21	VFC000CD010	3/2 VALVE	1		
22	WAC012HD001	DOWTY WASHER	2	✘	✓
23	BPC020VP001	FILLER PLUG (VENTED)	1		
24	SEC119RF001	O-RING I.D. 75.57MM, CS 5.33MM 70 SHORE (BS157)	1	✘	✓
25	AAN000UP001	60 x 30 mm UNIVERSAL NAME PLATE	1	✘	
26	FAS002HZ001	NO.4 x 3/16 HAMMER DRIVE SCREW	2		
27	SEC001KT009	VALVE GASKET	1	✘	✓
28	SEC001KT008	TANK GASKET	1	✘	✓
29	FPC006PB002	BLANKING PLUG	1		
30	DCSF00328	DOUBLE SIDED MAGNET	1		
31	BPC013EP001	DRAIN PLUG	1		
32	HOC006AB005	RETURN HOSE	1		

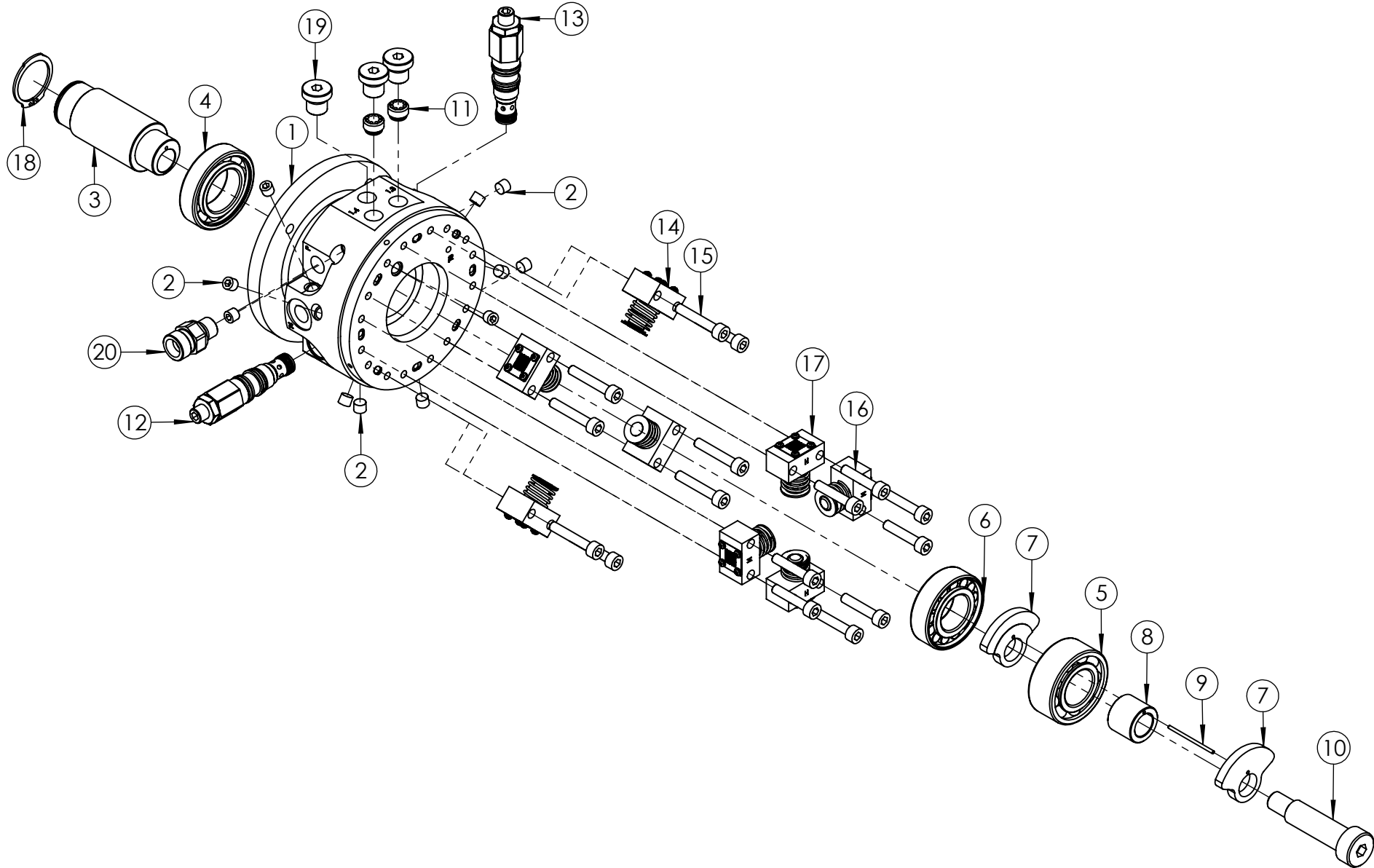
ITEM NO.	PART NUMBER	DESCRIPTION	QTY.	SPARE PARTS	SERVICE PARTS	REVISION
33	SEC002KT017	PUMP GASKET	1	✘	✓	1 4187
34	WAC010HD000	3/8" BSP DOWTY WASHER	1	✘	✓	2 4226
35	FPC012GR001	3/8 BSP MALE X 1/2 BSP FEMALE SWIVEL ADAPTOR	1			3 4504
36	WAC012EC001	1/2 COPPER SEALING WASHER - OD:17.5, ID: 6.2, THK: 2.0	1	✘	✓	4 4753
37	HG1-TG	PRESSURE GAUGE	1			5 6308
38	EMTPE25A	MOTOR AND CONTROLLER	1			6 6469
39	ECC012GN001	CABLE GLAND	1			7
40	TAC000FC003	OIL COOLER	1			8
41	HOC010AB041	LOW PRESSURE HOSE	1			9
42	FPC013AB001	BARREL	1			10
43	TAC000PA006	RETURN PIPE	1			11
44	EMC024BA011	LOW PRESSURE TRANSDUCER	1			12
45	VFC003WH016	RESTRICTOR	1			13
46	VFA006FH002	CHECK VALVE	1			14
47	SEC013RA001	O-RING - I.D. 9.25mm, C.S. 1.78mm, NITRILE 90	1			15
*	BPC020SP002	FILLER PLUG	1			16
						17
						18
						19
						20

**NOTE:**

- ALL PARTS AVAILABLE TO BE ORDERED AS SPARE PARTS (UNLESS MARKED WITH ✘).
- PARTS MARKED WITH ✓ ARE **ONLY** AVAILABLE IN SERVICE KIT **TPE-ATP2-K**
- FOR SUB ASSEMBLIES (ITEM NO's **1 & 8**) PLEASE REFER TO THEIR INDIVIDUAL EVD's.

**IMPORTANT**

WHEN ORDERING SPARES YOU MUST STATE THE FULL PART NUMBER AND THE PRODUCT SERIAL NUMBER - FROM THE LABEL TO PROTECT YOUR WARRANTY ALWAYS USE GENUINE HI-FORCE PARTS.



REVISION

1	4085
2	4283
3	4408
4	4440
5	5494
6	5789
<b>7</b>	<b>6308</b>
8	
9	
10	
11	
12	
13	
14	
15	
16	
17	
18	
19	
20	

**IMPORTANT**  
WHEN ORDERING SPARES YOU MUST STATE THE FULL PART NUMBER AND THE  
PRODUCT SERIAL NUMBER - FROM THE LABEL  
TO PROTECT YOUR WARRANTY ALWAYS USE GENUINE HI-FORCE PARTS.

ITEM NO.	PART NUMBER	DESCRIPTION	QTY.	SPARE PARTS
1	PMC000KM002	PUMP BODY	1	<b>X</b>
2	FPC002PN001	1/16"NPTF x 7/8" TAPER PLUG	11	
3	PMC019SM001	DRIVE SHAFT	1	
4	BSC030MC001	DEEP GROOVE BALL BEARING	1	
5	BSC025ME001	DOUBLE ROW BEARING	1	
6	BSC025NC001	CYLINDRICAL ROLLER BEARING	1	
7	PMC019EM001	COUNTERWEIGHT	2	
8	PMC019RM001	BUSH	1	
9	PCC002FE001	LOCATING PIN	1	
10	BLC016NS050	SHOULDER SCREW	1	
11	VFA006FH001	CHECK VALVE	2	
12	VRC065UF001	UNLOADING VALVE 65 BAR	1	
13	VRC320UF001	UNLOADING VALVE 320 BAR	1	
14	PEA011AA001	LP PISTON BLOCK	4	
15	BLC006JD035	SOCKET CAP HD SCREW	8	
16	BLC006JD030	M6 x 30 mm HEX SOCKET CAP HEAD SCREW	8	
17	PEA006AA002	HP PISTON BLOCK	4	
18	STC030CA002	CIRCLIP	1	
19	FPC006PB002	BLANKING PLUG	3	
20	FPC006YW001	COUPLING BODY	1	

**NOTE:**

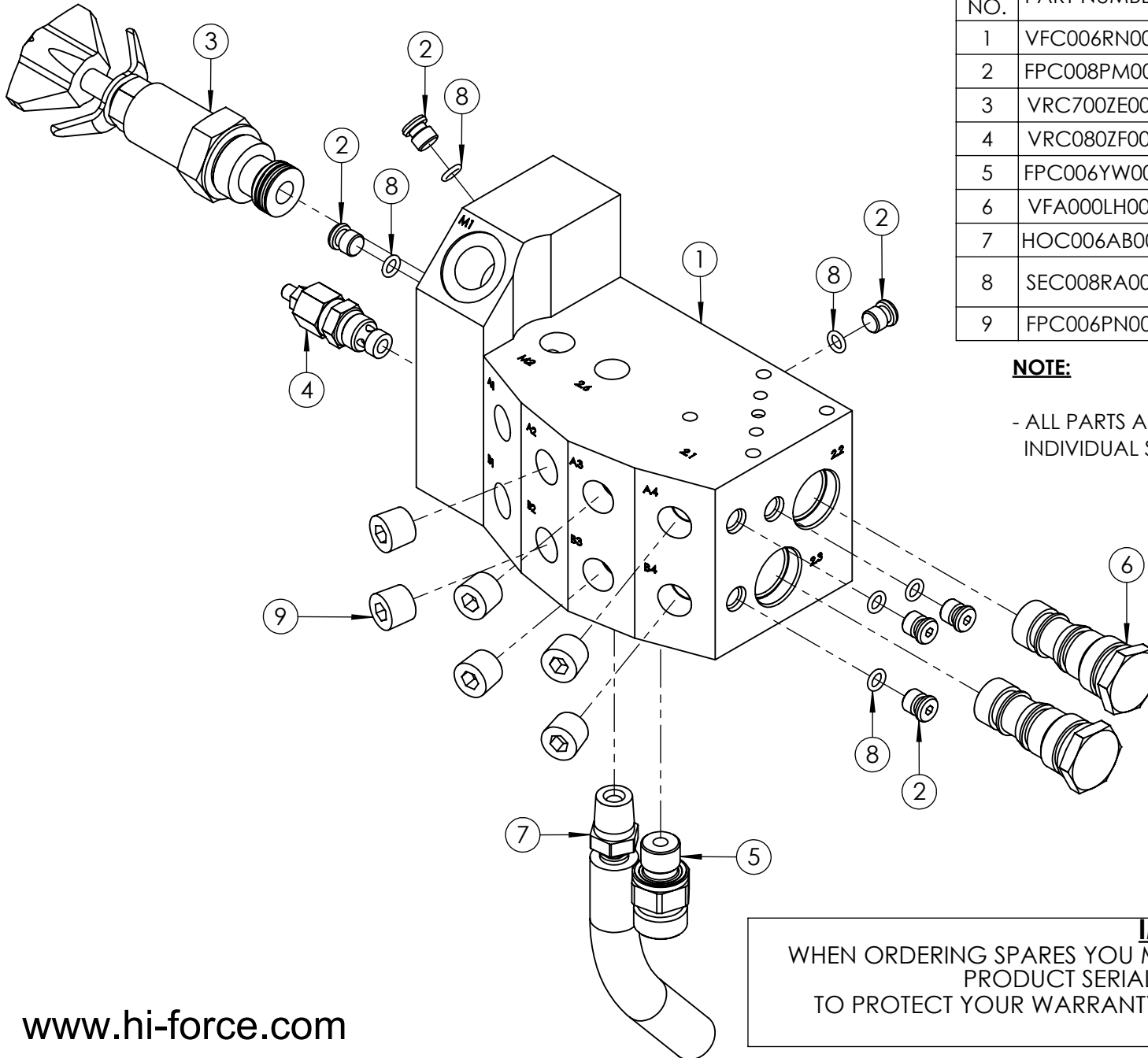
- ALL PARTS ARE AVAILABLE TO BE ORDERED AS INDIVIDUAL SPARE PARTS (UNLESS MARKED WITH **X**).

REVISION

1	4085
2	4283
3	4408
4	4440
5	5494
6	5789
<b>7</b>	6308
8	
9	
10	
11	
12	
13	
14	
15	
16	
17	
18	
19	
20	

**IMPORTANT**

WHEN ORDERING SPARES YOU MUST STATE THE FULL PART NUMBER AND THE PRODUCT SERIAL NUMBER - FROM THE LABEL TO PROTECT YOUR WARRANTY ALWAYS USE GENUINE HI-FORCE PARTS.



ITEM NO.	PART NUMBER	DESCRIPTION	QTY.	SPARE PARTS	REVISION
1	VFC006RN004	VALVE BLOCK	1	X	1 6248
2	FPC008PM003	PLUG	6		2 6308
3	VRC700ZE002	ADJUSTABLE RELIEF VALVE	1		3
4	VRC080ZF001	LOW PRESSURE RELIEF VALVE	1		4
5	FPC006YW001	COUPLING BODY	1		5
6	VFA000LH001	PILOT OPERATED VALVE	2		6
7	HOC006AB005	RETURN HOSE	1		7
8	SEC008RA002	O-RING - I.D. 5.0 mm C.S. 1.5 mm, NITRILE 70	6		8
9	FPC006PN002	1/4 NPT x 7/8 TAPER PLUG	6		9
					10
					11
					12
					13
					14
					15
					16
					17
					18
					19
					20

**NOTE:**

- ALL PARTS ARE AVAILABLE TO BE ORDERED AS INDIVIDUAL SPARE PARTS (UNLESS MARKED WITH X).

**IMPORTANT**

WHEN ORDERING SPARES YOU MUST STATE THE FULL PART NUMBER AND THE PRODUCT SERIAL NUMBER - FROM THE LABEL TO PROTECT YOUR WARRANTY ALWAYS USE GENUINE HI-FORCE PARTS.

REVISION

1 6308

2 6469

3

4

5

6

7

8

9

10

11

12

13

14

15

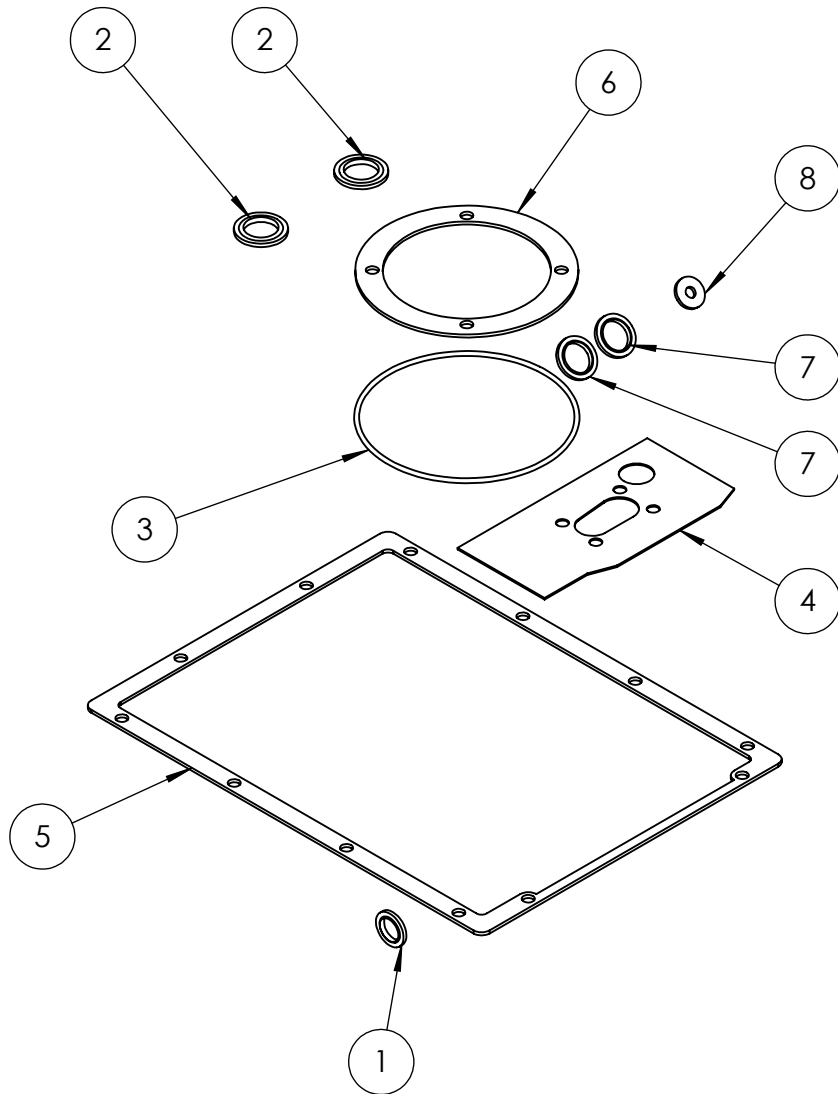
16

17

18

19

20



ITEM NO.	PART NUMBER	DESCRIPTION	QTY.
1	WAC007HD000	1/4" BSP SELF CENTERING BONDED WASHER	1
2	WAC012HD001	DOWTY WASHER	2
3	SEC119RF001	O-RING I.D. 75.57MM, CS 5.33MM 70 SHORE (BS157)	1
4	SEC001KT009	VALVE GASKET	1
5	SEC001KT008	TANK GASKET	1
6	SEC002KT017	PUMP GASKET	1
7	WAC010HD000	3/8" BSP DOWTY WASHER	2
8	WAC012EC001	1/2 COPPER SEALING WASHER - OD:17.5, ID: 6.2, THK: 2.0	1

NOTE:

- ALL PARTS ARE **ONLY** AVAILABLE TO BE ORDERED AS PART OF SEAL KIT.

**IMPORTANT**

WHEN ORDERING SPARES YOU MUST STATE THE FULL PART NUMBER AND THE PRODUCT SERIAL NUMBER - FROM THE LABEL TO PROTECT YOUR WARRANTY ALWAYS USE GENUINE HI-FORCE PARTS.