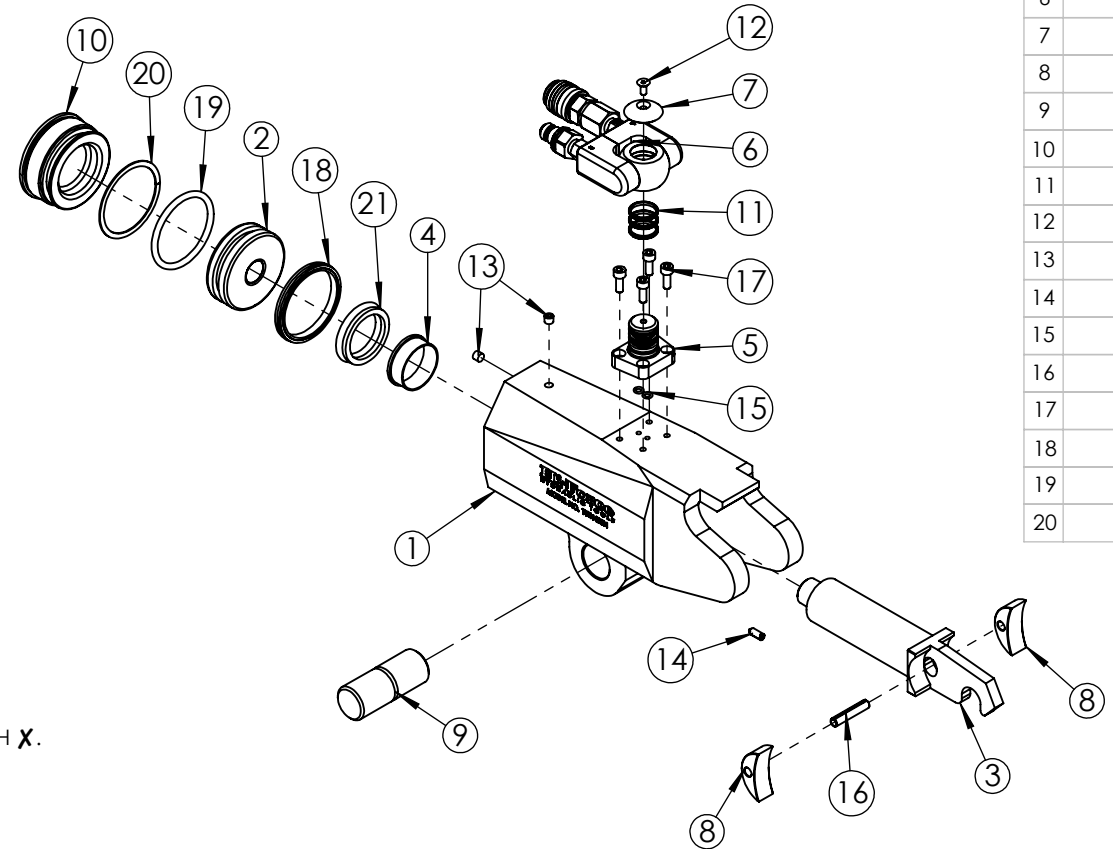


ITEM NO.	PART NUMBER	DESCRIPTION	QTY.	SPARE PARTS	SERVICE PARTS
1	TTC430BA001	BODY	1	X	
2	TTC430NS002	PISTON HEAD	1		
3	TTC430NS001	PISTON	1		
4	TTC430FS001	BEARING	1		
5	TTA000SA003	SWIVEL BASE ASSEMBLY	1		
6	TTA000SA001	SWIVEL CONNECTOR ASSEMBLY	1		
7	TTC000SA010	SWIVEL CAP	1		
8	TTC430MS001	THRUST PAD	2		
9	TTC430JS001	LOCKING PIN	1		
10	TTC430UA001	END PLUG	1		
11	SEC025MF001	ROTARY SEAL - O.D. 25.01 mm , I.D. 21.87 mm , H. 2.4 mm HPU-R95	3	X	✓
12	BLC005HF012	M5 x 12 HEX SOCKET COUNTERSUNK SCREW	1		
13	FPC002PN001	1/16"NPTF x 7/8" TAPER PLUG	2		
14	FAS006MY012	SPRING PLUNGER	1		
15	SEC009RA003	O-RING - I.D. 5.28 mm , C.S. 1.78 mm NITRILE 70	2	X	✓
16	PCC008RE001	SLOTTED SPRING PIN O.D. 8 mm X 40 mm	1	X	✓
17	BLC006JD016	M6 x 16 HEX SOCKET CAP HEAD SCREW	4		
18	SEC073GA001	PISTON SEAL - O.D. 73.03 mm , I.D. 63.50 mm , H. 7.11 mm NITRILE/NYLON 70 SHORE	1	X	✓
19	SEC073RA001	O-RING - I.D. 62.87 mm , C.S. 5.34 mm NITRILE 90 SHORE	1	X	✓
20	SEC073BA001	BACKUP RING - O.D. 73.00 mm , I.D. 63.47 mm , H. 1.00 mm PTFE	1	X	✓
21	SEC041LE001	LIP SEAL - O.D. 56.50 mm , I.D. 41.00 mm , H. 10.00 mm POLYURETHANE 90 SHORE	1	X	✓

NOTE:

- ALL PARTS AVAILABLE TO BE ORDERED AS INDIVIDUAL SPARE PARTS UNLESS MARKED WITH X.
- ALL PARTS MARKED WITH ✓ ARE ONLY AVAILABLE IN SERVICE KIT **TWH430NTP4-K**
- FOR SUB ASSEMBLY **TTA000SA001** REFER TO IT'S INDIVIDUAL EVD.



REVISION

1	
2	3905
3	6211
4	6390
5	
6	
7	
8	
9	
10	
11	
12	
13	
14	
15	
16	
17	
18	
19	
20	

IMPORTANT

WHEN ORDERING SPARES YOU MUST STATE THE FULL PART NUMBER AND THE PRODUCT SERIAL NUMBER - FROM THE LABEL TO PROTECT YOUR WARRANTY ALWAYS USE GENUINE HI-FORCE PARTS.

ITEM NO.	PART NUMBER	DESCRIPTION	QTY.	SPARE PARTS
1	TTC000SA011	SWIVEL BASE	1	X
2	FAS006MA005	M6 X 5 MM FLAT POINT GRUB SCREWS (DIN 913 / ISO 4026) – STAINLESS STEEL (A4) + 180 NYLON PATCH.	1	X
3	VRA280GB001	SPRING SEAT	1	X
4	SPC005CA008	COMPRESSION SPRING	1	X
5	BAC005SN001	3/16" BALL CHROME STEEL	1	X

REVISION

1 6484

2

3

4

5

6

7

8

9

10

11

12

13

14

15

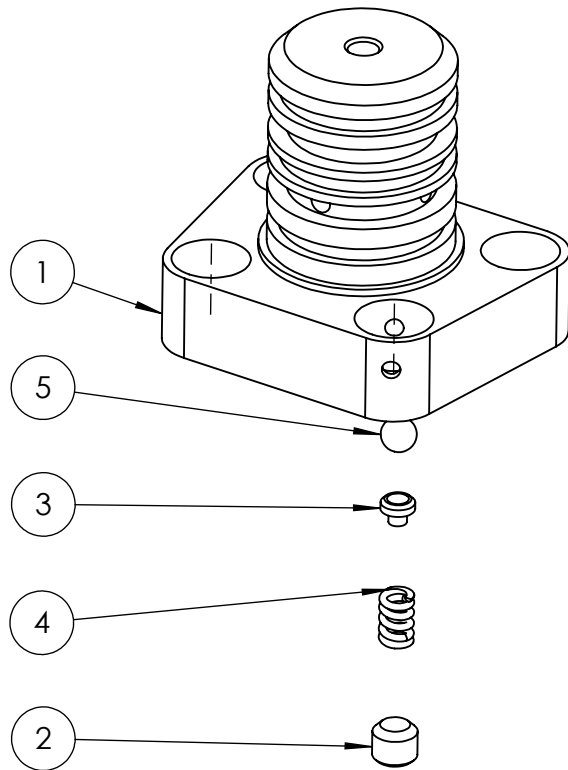
16

17

18

19

20



NOTE:

- ALL PARTS AVAILABLE TO ORDER AS AN INDIVIDUAL SPARE PART UNLESS MARKED X.

IMPORTANT

WHEN ORDERING SPARES YOU MUST STATE THE FULL PART NUMBER AND THE PRODUCT SERIAL NUMBER - FROM THE LABEL TO PROTECT YOUR WARRANTY ALWAYS USE GENUINE HI-FORCE PARTS.

NOTE:

- ALL PARTS AVAILABLE TO ORDER AS AN INDIVIDUAL SPARE PART UNLESS MARKED X.

- PARTS MARKED WITH A ✓ ARE **ONLY** AVAILABLE AS PART OF SERVICE KITS;

TWS17NTP4-K

TWS45NTP4-K

TWS100NTP4-K

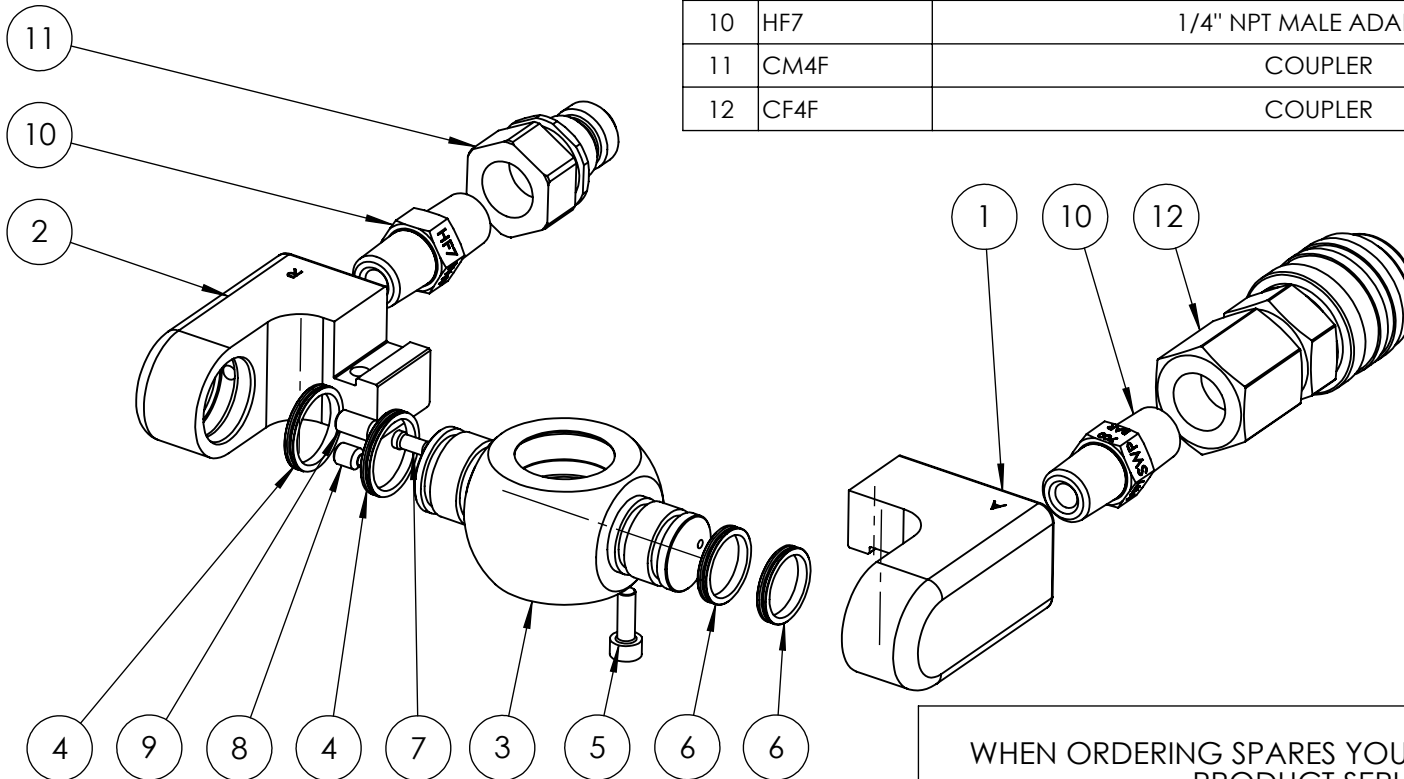
TWS150NTP4-K

TWS370NTP4-K

TWH430NTP4-K.

(REFER TO INDIVIDUAL TORQUE TOOL SERVICE KIT EVD'S FOR FULL PARTS LIST)

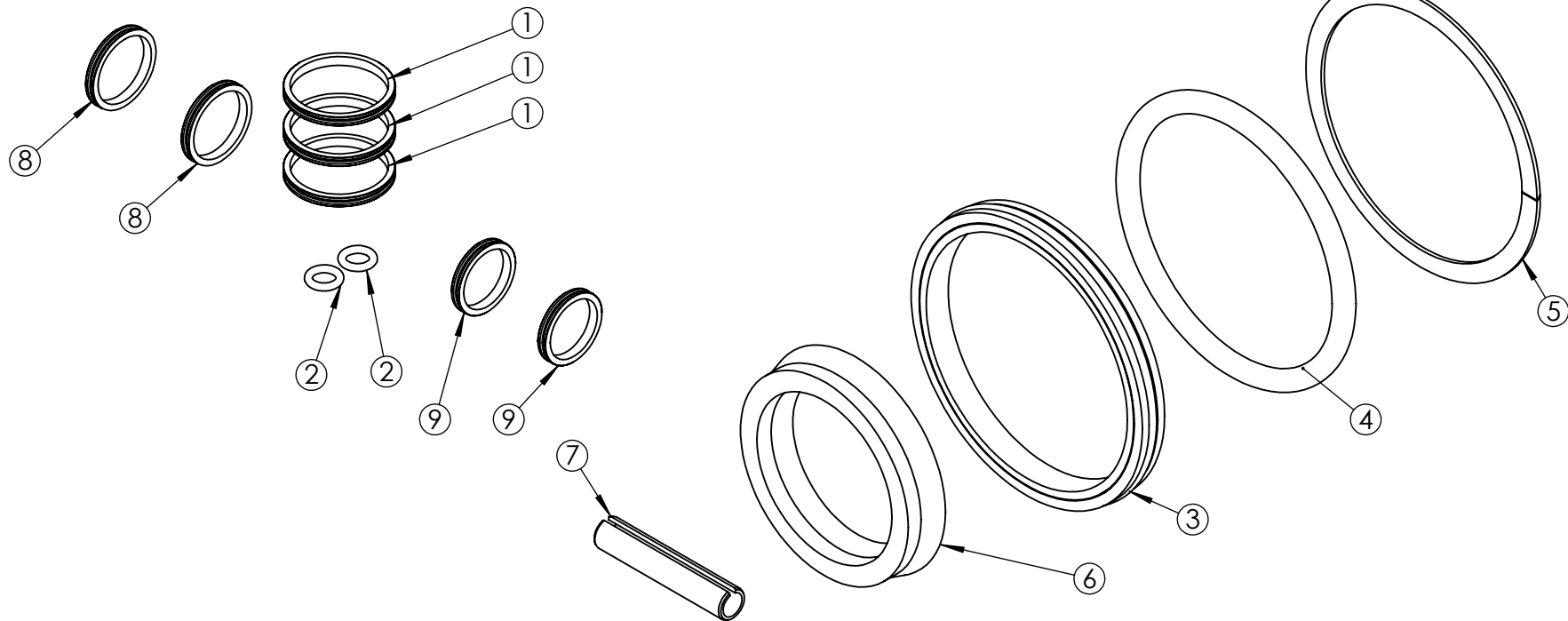
ITEM NO.	PART NUMBER	DESCRIPTION	QTY.	SPARE PARTS	SERVICE PARTS
1	TTC000SA007	ADVANCE FLAPPER	1	X	
2	TTC000SA008	RETRACT FLAPPER	1	X	
3	TTC000SA009	TRUNNION	1	X	
4	SEC020MF001	ROTARY SEAL - O.D. 20.15 mm , I.D. 17.03 mm , H. 2.4 mm HPU-R95	2	X	✓
5	BLC004JD012	SOCKET CAP HD SCREW M4 x 12	1	X	
6	SEC018MF001	ROTARY SEAL - O.D. 18.02 mm , I.D. 15.03 mm , H. 2.4 mm HPU-R95	2	X	✓
7	BPC003TS001	PLUG	1	X	
8	FAS005ME006	SOCKET CUP PT SCREW M5 x 6	1	X	
9	FAS005ME010	SOCKET CUP PT SCREW M5 x 10	1	X	
10	HF7	1/4" NPT MALE ADAPTOR	2	X	
11	CM4F	COUPLER	1		
12	CF4F	COUPLER	1		



IMPORTANT
WHEN ORDERING SPARES YOU MUST STATE THE FULL PART NUMBER AND THE PRODUCT SERIAL NUMBER - FROM THE LABEL TO PROTECT YOUR WARRANTY ALWAYS USE GENUINE HI-FORCE PARTS.

ITEM NO.	PART NUMBER	DESCRIPTION	QTY.
1	SEC025MF001	ROTARY SEAL - O.D. 25.01 mm , I.D. 21.87 mm , H. 2.4 mm HPU-R95	3
2	SEC009RA003	O-RING - I.D. 5.28 mm , C.S. 1.78 mm NITRILE 70	2
3	SEC073GA001	PISTON SEAL - O.D. 73.03 mm , I.D. 63.50 mm , H. 7.11 mm NITRILE/NYLON 70 SHORE	1
4	SEC073RA001	O-RING - I.D. 62.87 mm , C.S. 5.34 mm NITRILE 90 SHORE	1
5	SEC073BA001	BACKUP RING - O.D. 73.00 mm , I.D. 63.47 mm , H. 1.00 mm PTFE	1
6	SEC041LE001	LIP SEAL - O.D. 56.50 mm , I.D. 41.00 mm , H. 10.00 mm POLYURETHANE 90 SHORE	1
7	PCC008RE001	SLOTTED SPRING PIN O.D. 8 mm X 40 mm	1
8	SEC020MF001	ROTARY SEAL - O.D. 20.15 mm , I.D. 17.03 mm , H. 2.4 mm HPU-R95	2
9	SEC018MF001	ROTARY SEAL - O.D. 18.02 mm , I.D. 15.03 mm , H. 2.4 mm HPU-R95	2

NOTE:
- ALL PARTS ARE **ONLY** AVAILABLE TO BE ORDERED AS PART OF THE SERVICE KIT.



REVISION

1 6390

2

3

4

5

6

7

8

9

10

11

12

13

14

15

16

17

18

19

20

IMPORTANT

WHEN ORDERING SPARES YOU MUST STATE THE FULL PART NUMBER AND THE PRODUCT SERIAL NUMBER - FROM THE LABEL TO PROTECT YOUR WARRANTY ALWAYS USE GENUINE HI-FORCE PARTS.