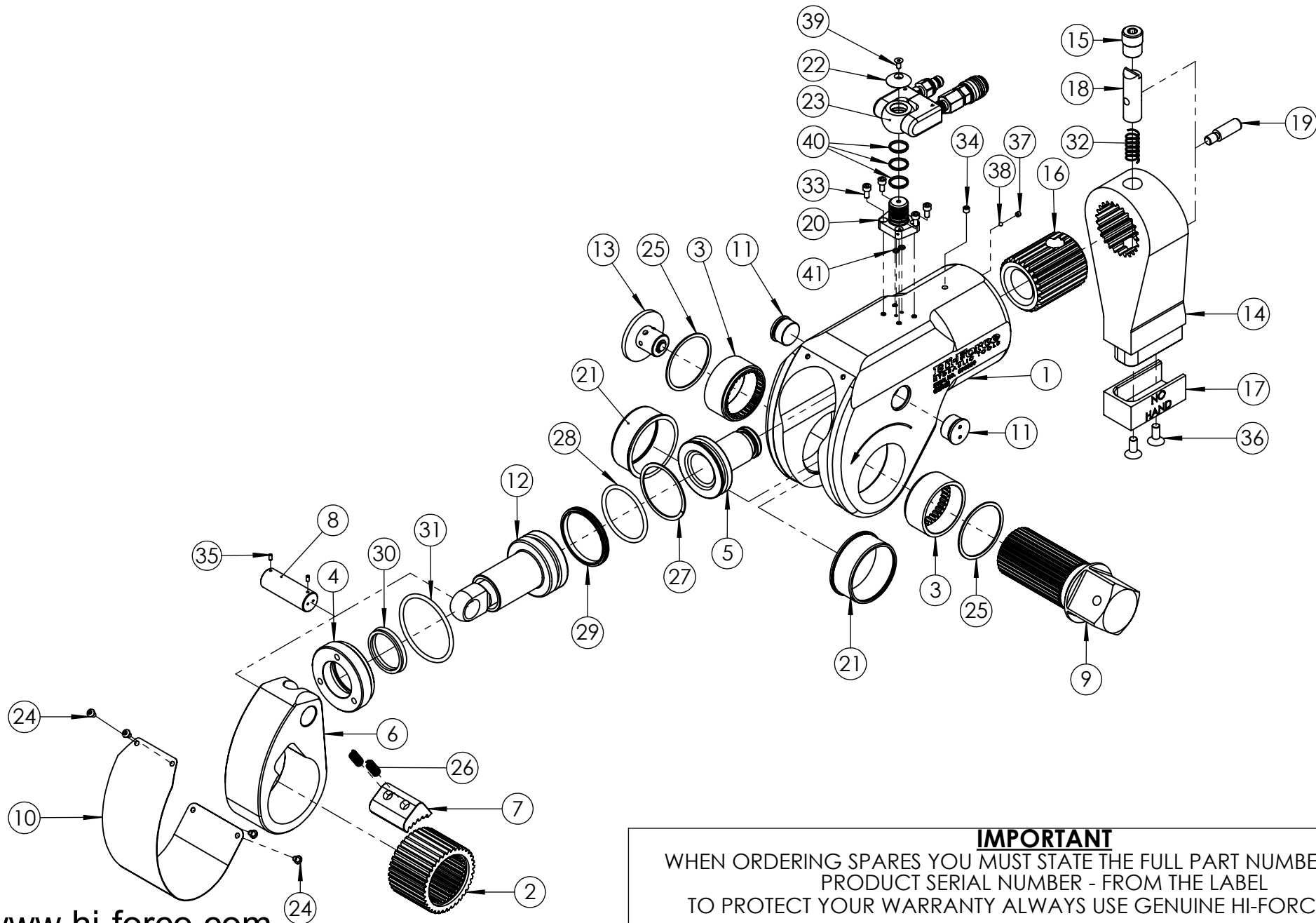


REVISION

1	
2	
3	3891
4	6265
<b>5</b>	<b>6484</b>
6	
7	
8	
9	
10	
11	
12	
13	
14	
15	
16	
17	
18	
19	
20	



**IMPORTANT**  
WHEN ORDERING SPARES YOU MUST STATE THE FULL PART NUMBER AND THE PRODUCT SERIAL NUMBER - FROM THE LABEL TO PROTECT YOUR WARRANTY ALWAYS USE GENUINE HI-FORCE PARTS.

ITEM NO.	PART NUMBER	DESCRIPTION	QTY.	SPARE PARTS	SERVICE PARTS	ITEM NO.	PART NUMBER	DESCRIPTION	QTY.	SPARE PARTS	SERVICE PARTS	REVISION
1	TTC370BA001	BODY	1	X		32	SPC018CA001	SPRING	1			1
2	TTC370WS001	RATCHET WHEEL	1			33	BLC006JC012	M6 x 12 SOCKET CAP HEAD SCREW	4			2
3	TTC370FB001	BEARING	2			34	FPC002PN001	1/16"NPTF x 7/8" TAPER PLUG	1			3 3891
4	TTC370GB001	GLAND	1			35	FAS004ME008	M4 x 8 SOCKET CUP POINT SCREW	2			4 6265
5	TTC370ES001	END PLUG	1			36	BLC010LF025	M10 x 25 SOCKET COUNTERSUNK SCREW	2			5 6484
6	TTC370CS001	DRIVE PLATE	1			37	FAS006MB005	SOCKET CUP POINT SCREW M6 x 5	1			6
7	TTC370PS001	DRIVE SEGMENT	1			38	BAC005SN001	3/16" BALL	1			7
8	TTC370JS001	DRIVE PIN	1			39	BLC005HF012	M5 x 12 HEX SOCKET COUNTERSUNK SCREW	1			8
9	TTC370DS001	SQUARE DRIVE	1			40	SEC025MF001	ROTARY SEAL - O.D. 25.01 mm , I.D. 21.87 mm , H. 2.4 mm HPU-R95	3	X	✓	9
10	TTC370LS001	SHROUD	1			41	SEC009RA003	O-RING - I.D. 5.28 mm , C.S. 1.78 mm NITRILE 70	2	X	✓	10
11	TTC370AA001	COVER PLUG	2									11
12	TTA370NS001	PISTON ASSEMBLY	1									12
13	TTA370LA001	RELEASE BUTTON ASSEMBLY	1									13
14	TTC370QA002	REACTION ARM	1									14
15	TTC370AS001	PLUG	1									15
16	TTC370KS001	SPLINE SLEEVE	1									16
17	TTC370ES002	END CAP	1									17
18	TTC370JS002	LATCH PIN	1									18
19	TTC370JS003	RELEASE	1									19
20	<b>TTA000SA003</b>	SWIVEL BASE ASSEMBLY	1									20
21	TTC370FS002	SLEEVE	2									
22	TTC000SA010	SWIVEL CAP	1									
23	<b>TTA000SA001</b>	SWIVEL CONNECTOR ASSEMBLY	1									
24	BLC006JH008	M6 x 8 SOCKET BUTTON HEAD SCREW	4									
25	STC080TA002	RETAINING RING	2	X	✓							
26	SPC012CA004	SPRING	2									
27	SEC083BA001	BACK UP RING - O.D. 82.5 mm, I.D. 73.03 mm, H 1.70 mm, PTFE	1	X	✓							
28	SEC083RA001	O - RING - I.D. 72.39 mm, C.S. 5.33 mm, NITRILE 90 SHORE	1	X	✓							
29	SEC083GA001	PISTON T SEAL - O.D. 82.55 mm, I.D. 73.03 mm, H 7.11 mm, NBR/NYLON 70 SHORE	1	X	✓							
30	SEC053LE001	ROD LIP SEAL - O.D. 65 mm , I.D. 53 mm , H. 8 mm, POLYURETHANE	1	X	✓							
31	SEC089RE001	O-RING - I.D. 88.27 mm, C.S. 5.33 mm, NITRILE 70 SHORE	1	X	✓							

**NOTE:**

- ALL PARTS ARE AVAILABLE TO BE ORDERED AS INDIVIDUAL SPARE PARTS (UNLESS MARKED WITH X).
- PARTS MARKED WITH ✓ ARE ONLY AVAILABLE IN SERVICE KIT **TWS370NTP4-K**.
- FOR SUB ASSEMBLIES (ITEM NO'S 20 & 23) REFER TO THEIR INDIVIDUAL EVD'S.

**IMPORTANT**

WHEN ORDERING SPARES YOU MUST STATE THE FULL PART NUMBER AND THE PRODUCT SERIAL NUMBER - FROM THE LABEL TO PROTECT YOUR WARRANTY ALWAYS USE GENUINE HI-FORCE PARTS.

ITEM NO.	PART NUMBER	DESCRIPTION	QTY.	SPARE PARTS
1	TTC000SA011	SWIVEL BASE	1	X
2	FAS006MA005	M6 X 5 MM FLAT POINT GRUB SCREWS (DIN 913 / ISO 4026) – STAINLESS STEEL (A4) + 180 NYLON PATCH.	1	X
3	VRA280GB001	SPRING SEAT	1	X
4	SPC005CA008	COMPRESSION SPRING	1	X
5	BAC005SN001	3/16" BALL CHROME STEEL	1	X

REVISION

1 6484

2

3

4

5

6

7

8

9

10

11

12

13

14

15

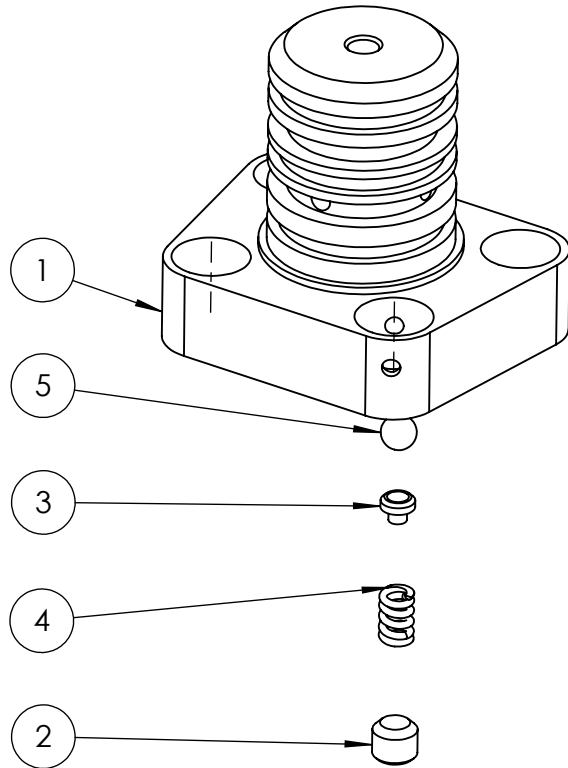
16

17

18

19

20



**NOTE:**

- ALL PARTS AVAILABLE TO ORDER AS AN INDIVIDUAL SPARE PART UNLESS MARKED X.

**IMPORTANT**

WHEN ORDERING SPARES YOU MUST STATE THE FULL PART NUMBER AND THE PRODUCT SERIAL NUMBER - FROM THE LABEL TO PROTECT YOUR WARRANTY ALWAYS USE GENUINE HI-FORCE PARTS.

**NOTE:**

- ALL PARTS AVAILABLE TO ORDER AS AN INDIVIDUAL SPARE PART UNLESS MARKED X.

- PARTS MARKED WITH A ✓ ARE **ONLY** AVAILABLE AS PART OF SERVICE KITS;

**TWS17NTP4-K**

**TWS45NTP4-K**

**TWS100NTP4-K**

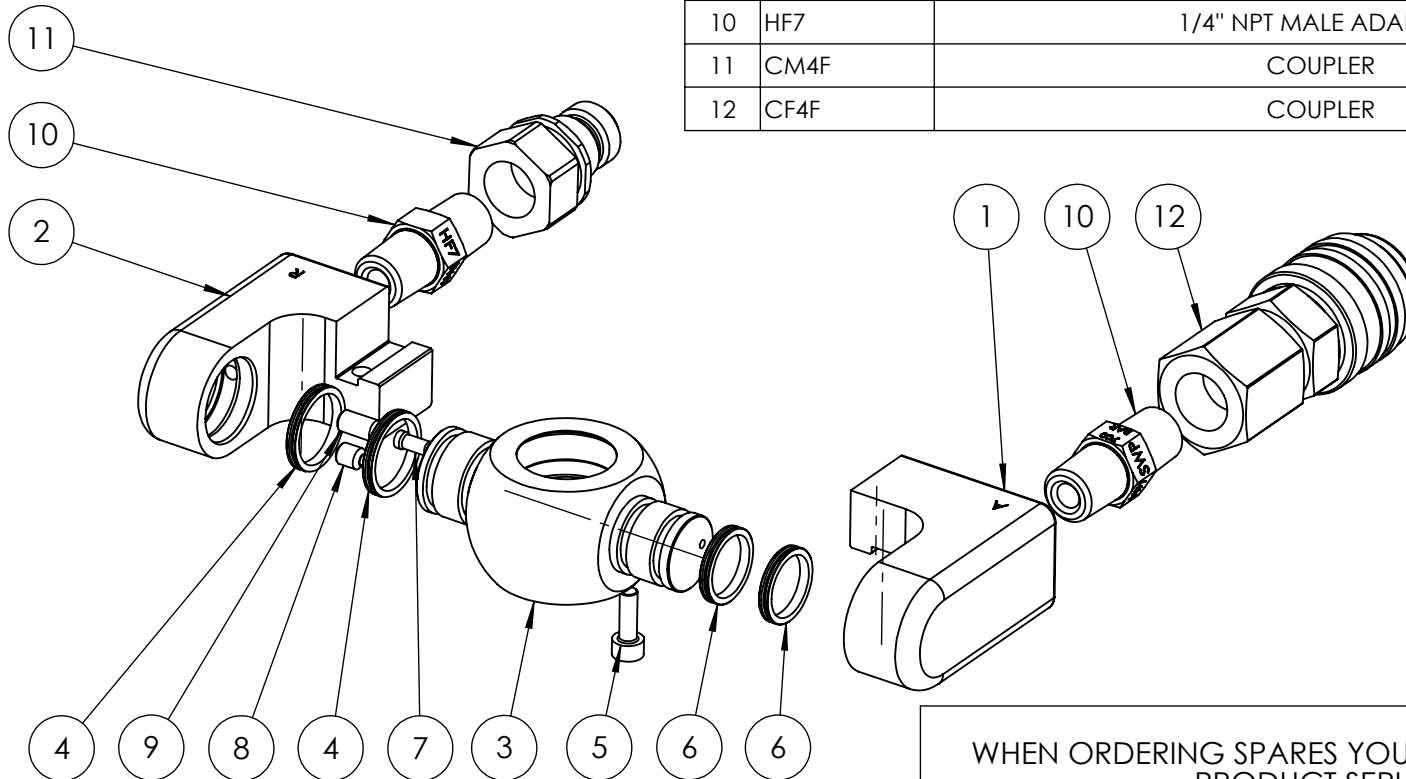
**TWS150NTP4-K**

**TWS370NTP4-K**

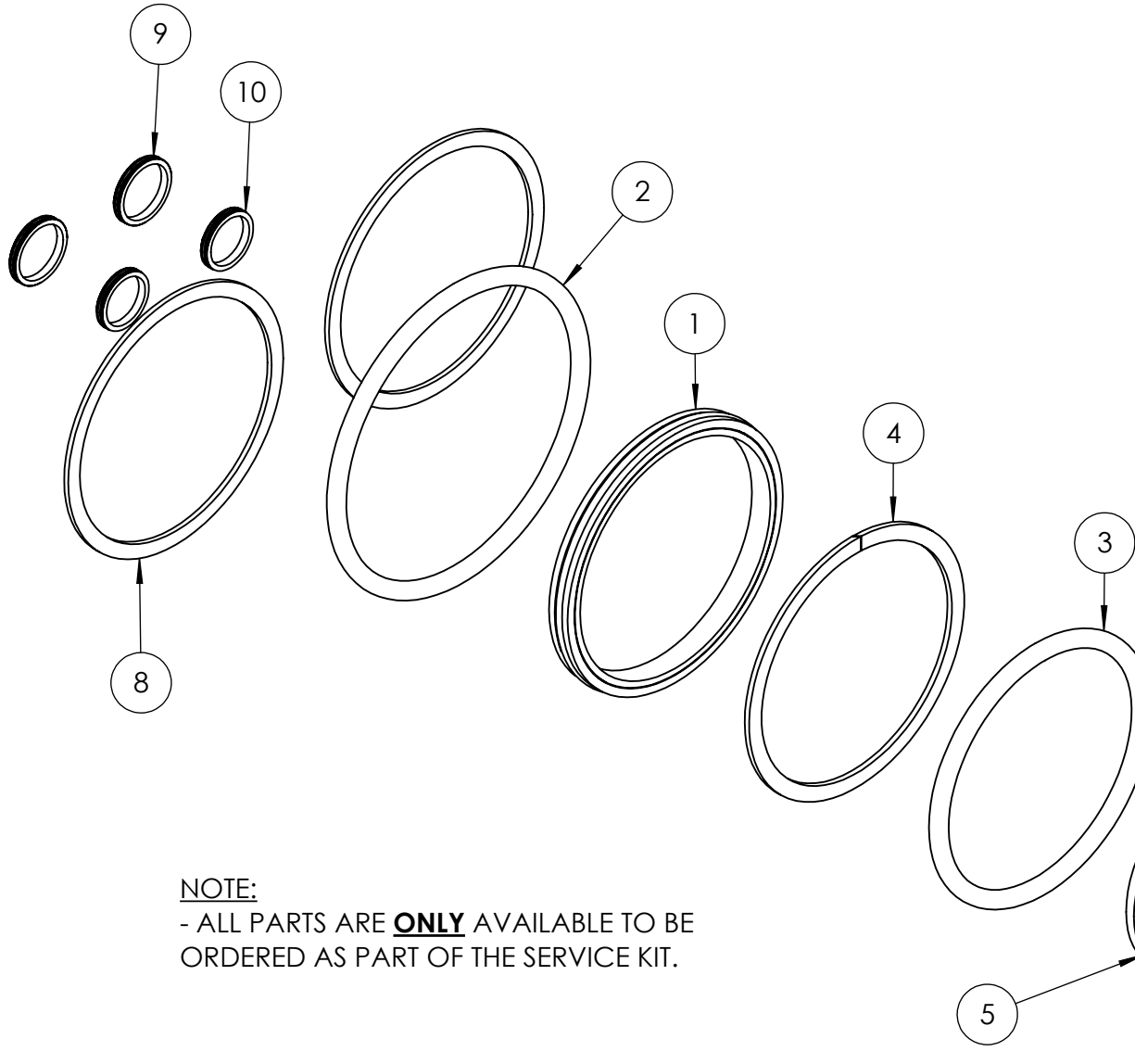
**TWH430NTP4-K.**

(REFER TO INDIVIDUAL TORQUE TOOL SERVICE KIT EVD'S FOR FULL PARTS LIST)

ITEM NO.	PART NUMBER	DESCRIPTION	QTY.	SPARE PARTS	SERVICE PARTS
1	TTC000SA007	ADVANCE FLAPPER	1	X	
2	TTC000SA008	RETRACT FLAPPER	1	X	
3	TTC000SA009	TRUNNION	1	X	
4	SEC020MF001	ROTARY SEAL - O.D. 20.15 mm , I.D. 17.03 mm , H. 2.4 mm HPU-R95	2	X	✓
5	BLC004JD012	SOCKET CAP HD SCREW M4 x 12	1	X	
6	SEC018MF001	ROTARY SEAL - O.D. 18.02 mm , I.D. 15.03 mm , H. 2.4 mm HPU-R95	2	X	✓
7	BPC003TS001	PLUG	1	X	
8	FAS005ME006	SOCKET CUP PT SCREW M5 x 6	1	X	
9	FAS005ME010	SOCKET CUP PT SCREW M5 x 10	1	X	
10	HF7	1/4" NPT MALE ADAPTOR	2	X	
11	CM4F	COUPLER	1		
12	CF4F	COUPLER	1		



**IMPORTANT**  
WHEN ORDERING SPARES YOU MUST STATE THE FULL PART NUMBER AND THE PRODUCT SERIAL NUMBER - FROM THE LABEL TO PROTECT YOUR WARRANTY ALWAYS USE GENUINE HI-FORCE PARTS.



ITEM NO.	PART NUMBER	DESCRIPTION	QTY.	REVISION
1	SEC083GA001	PISTON T SEAL - O.D. 82.55 mm, I.D. 73.03 mm, H 7.11 mm, NBR/NYLON 70 SHORE	1	1 6484
2	SEC089RE001	O-RING - I.D. 88.27 mm, C.S. 5.33 mm, NITRILE 70 SHORE	1	2
3	SEC083RA001	O - RING - I.D. 72.39 mm, C.S. 5.33 mm, NITRILE 90 SHORE	1	3
4	SEC083BA001	BACK UP RING - O.D. 82.5 mm, I.D. 73.03 mm, H 1.70 mm, PTFE	1	4
5	SEC053LE001	ROD LIP SEAL - O.D. 65 mm , I.D. 53 mm , H. 8 mm, POLYURETHANE	1	5
6	SEC025MF001	ROTARY SEAL - O.D. 25.01 mm , I.D. 21.87 mm , H. 2.4 mm HPU-R95	3	6
7	SEC009RA003	O-RING - I.D. 5.28 mm , C.S. 1.78 mm NITRILE 70	2	7
8	STC080TA002	RETAINING RING	2	8
9	SEC020MF001	ROTARY SEAL - O.D. 20.15 mm , I.D. 17.03 mm , H. 2.4 mm HPU-R95	2	9
10	SEC018MF001	ROTARY SEAL - O.D. 18.02 mm , I.D. 15.03 mm , H. 2.4 mm HPU-R95	2	10

**NOTE:**

- ALL PARTS ARE **ONLY** AVAILABLE TO BE ORDERED AS PART OF THE SERVICE KIT.

**IMPORTANT**  
WHEN ORDERING SPARES YOU MUST STATE THE FULL PART NUMBER AND THE PRODUCT SERIAL NUMBER - FROM THE LABEL TO PROTECT YOUR WARRANTY ALWAYS USE GENUINE HI-FORCE PARTS.