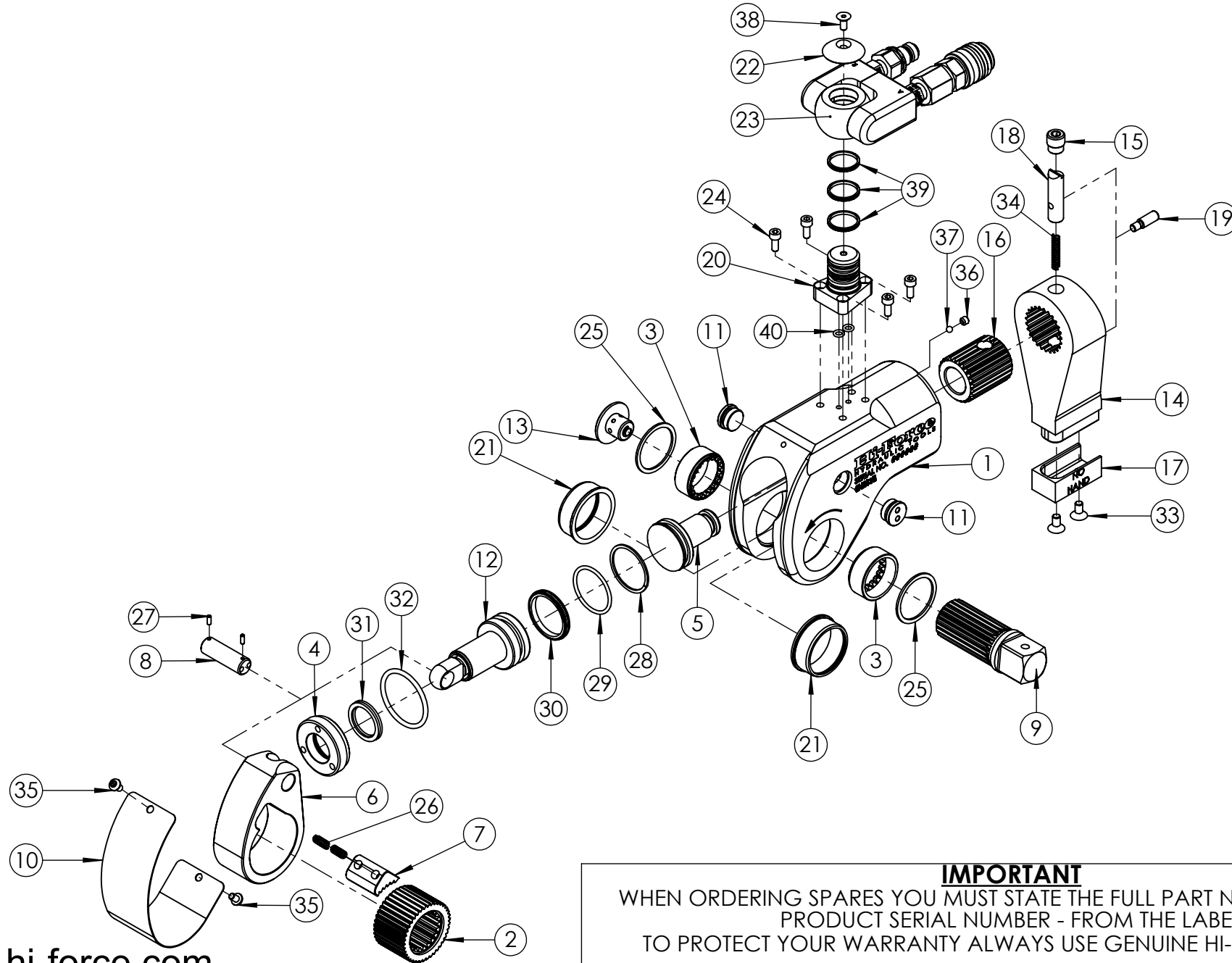


REVISION

1	
2	
3	
4	3891
5	4251
6	4691
7	6265
8	6484
9	
10	
11	
12	
13	
14	
15	
16	
17	
18	
19	
20	



IMPORTANT
WHEN ORDERING SPARES YOU MUST STATE THE FULL PART NUMBER AND THE PRODUCT SERIAL NUMBER - FROM THE LABEL TO PROTECT YOUR WARRANTY ALWAYS USE GENUINE HI-FORCE PARTS.

ITEM NO.	PART NUMBER	DESCRIPTION	QTY.	SPARE PARTS	SERVICE PARTS	ITEM NO.	PART NUMBER	DESCRIPTION	QTY.	SPARE PARTS	SERVICE PARTS	REVISION
1	TTC045BA002	BODY	1	X		31	SEC025LE001	ROD LIP SEAL - O.D. 33 mm, I.D. 25.00 mm, H 3.75 mm, POLYURETHANE	1	X	✓	1
2	TTC045WS001	RATCHET WHEEL	1			32	SEC044RE001	O-RING - I.D. 44.04 mm, C.S. 3.53 mm, NITRILE 90 SHORE	1	X	✓	2
3	TTC045FB001	BEARING	2			33	BLC006JE012	M6 x 12 HEX SOCKET COUNTERSUNK SCREW	2			3
4	TTC045GB001	GLAND	1			34	SPC006CB003	SPRING	1			4
5	TTC045ES001	END PLUG	1			35	BLC005HH008	M5 x 8 BUTTON HEAD SCREW	2			5
6	TTC045CS002	DRIVE PLATE	1			36	FAS006MB005	SOCKET CUP POINT SCREW M6 x 5	1			6
7	TTC045PS001	DRIVE SEGMENT	1			37	BAC005SN001	3/16" BALL	1			7
8	TTC045JS001	DRIVE PIN	1			38	BLC005HF012	M5 x 12 HEX SOCKET COUNTERSUNK SCREW	1			8
9	TTC045DS001	SQUARE DRIVE	1			39	SEC025MF001	ROTARY SEAL - O.D. 25.01 mm, I.D. 21.87 mm, H. 2.4 mm HPU-R95	3	X	✓	9
10	TTC045LS002	SHROUD	1			40	SEC009RA003	O-RING - I.D. 5.28 mm, C.S. 1.78 mm NITRILE 70	2	X	✓	10
11	TTC045AA001	COVER PLUG	2									11
12	TTA045NS001	PISTON ASSEMBLY	1									12
13	TTA045LA001	RELEASE BUTTON ASSEMBLY	1									13
14	TTC045QA002	REACTION ARM	1									14
15	TTC045AS001	PLUG	1									15
16	TTC045KS001	SPLINE SLEEVE	1									16
17	TTC045ES002	END CAP	1									17
18	TTC045JS002	LATCH PIN	1									18
19	TTC045JS003	RELEASE	1									19
20	TTA000SA002	SWIVEL BASE ASSEMBLY	1									20
21	TTC045FS002	SLEEVE	2									
22	TTC000SA010	SWIVEL CAP	1									
23	TTA000SA001	SWIVEL CONNECTOR ASSEMBLY	1									
24	BLC005HD012	M5 x 12 HEX SOCKET CAP HEAD SCREW	4									
25	STC040TA001	RETAINING RING	2	X	✓							
26	SPC006CB004	SPRING	2									
27	FAS003ME008	M3 X 8 SOCKET CUP POINT SCREW	2									
28	SEC041BA001	BACK UP RING - O.D. 41.28 mm, I.D. 36.50 mm, H 1.37 mm PTFE	1	X	✓							
29	SEC041RA001	O-RING - I.D. 36.17 mm, C.S. 2.62 mm 90 SHORE	1	X	✓							
30	SEC041GA001	PISTON T SEAL - O.D. 41.28 mm, I.D. 34.93 mm, H 4.70 mm, NBR/NYLON 70 SHORE	1	X	✓							

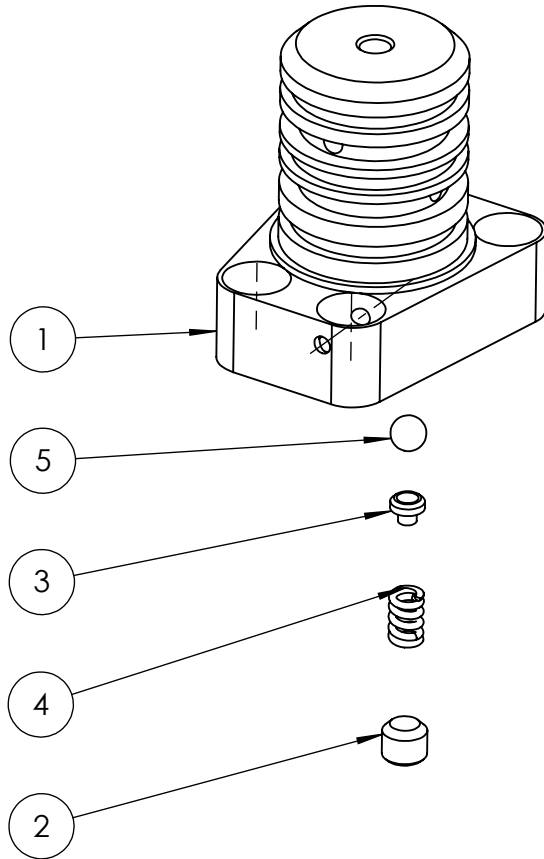
NOTE:

- ALL PARTS ARE AVAILABLE TO BE ORDERED AS INDIVIDUAL SPARE PARTS (UNLESS MARKED WITH X).
- PARTS MARKED WITH A ✓ ARE ONLY AVAILABLE IN SERVICE KIT **TWS45NTP4-K**
- FOR SUB ASSEMBLIES (ITEM NO'S 20 & 23) REFER TO THEIR INDIVIDUAL EVD'S.

IMPORTANT

WHEN ORDERING SPARES YOU MUST STATE THE FULL PART NUMBER AND THE PRODUCT SERIAL NUMBER - FROM THE LABEL TO PROTECT YOUR WARRANTY ALWAYS USE GENUINE HI-FORCE PARTS.

ITEM NO.	PART NUMBER	DESCRIPTION	QTY.	SPARE PARTS	REVISION
1	TTC000SA006	SWIVEL BASE	1	X	1 6484
2	FAS006MA005	M6 X 5 MM FLAT POINT GRUB SCREWS (DIN 913 / ISO 4026) – STAINLESS STEEL (A4) + 180 NYLON PATCH.	1	X	2
3	VRA280GB001	SPRING SEAT	1	X	3
4	SPC005CA008	COMPRESSION SPRING	1	X	4
5	BAC005SN001	3/16" BALL CHROME STEEL	1	X	5
					6
					7
					8
					9
					10
					11
					12
					13
					14
					15
					16
					17
					18
					19
					20



NOTE:

- ALL PARTS AVAILABLE TO ORDER AS AN INDIVIDUAL SPARE PART UNLESS MARKED X.

IMPORTANT

WHEN ORDERING SPARES YOU MUST STATE THE FULL PART NUMBER AND THE PRODUCT SERIAL NUMBER - FROM THE LABEL TO PROTECT YOUR WARRANTY ALWAYS USE GENUINE HI-FORCE PARTS.

NOTE:

- ALL PARTS AVAILABLE TO ORDER AS AN INDIVIDUAL SPARE PART UNLESS MARKED X.

- PARTS MARKED WITH A ✓ ARE **ONLY** AVAILABLE AS PART OF SERVICE KITS;

TWS17NTP4-K

TWS45NTP4-K

TWS100NTP4-K

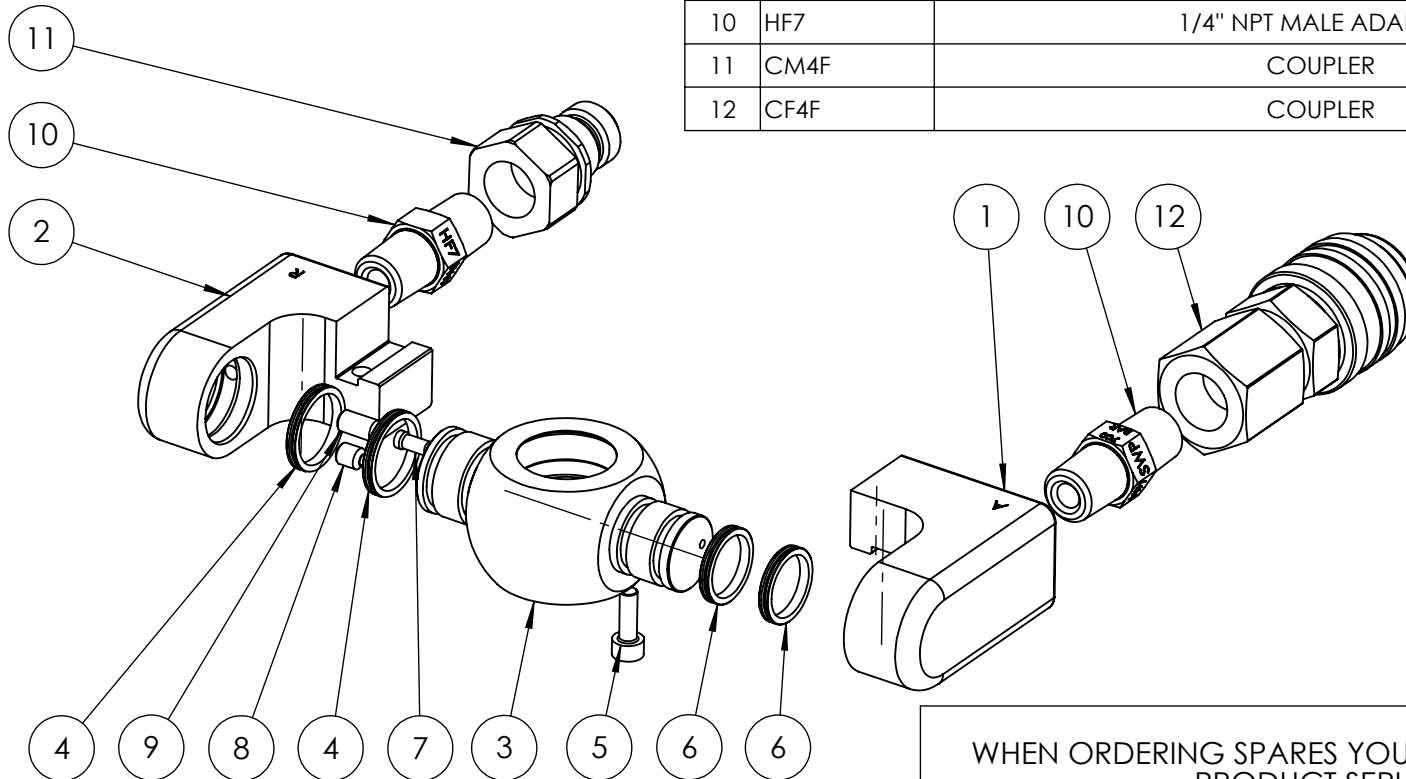
TWS150NTP4-K

TWS370NTP4-K

TWH430NTP4-K.

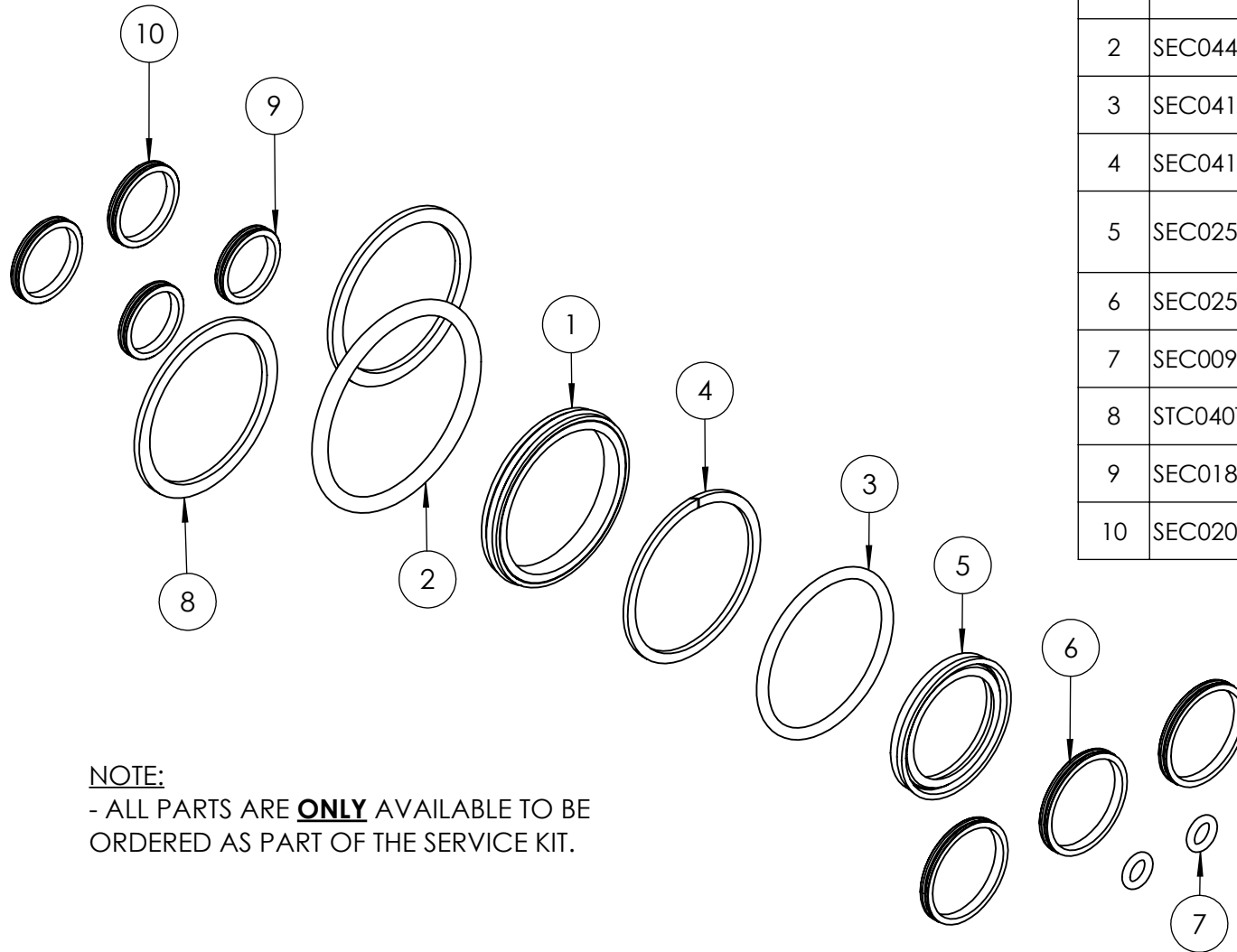
(REFER TO INDIVIDUAL TORQUE TOOL SERVICE KIT EVD'S FOR FULL PARTS LIST)

ITEM NO.	PART NUMBER	DESCRIPTION	QTY.	SPARE PARTS	SERVICE PARTS
1	TTC000SA007	ADVANCE FLAPPER	1	X	
2	TTC000SA008	RETRACT FLAPPER	1	X	
3	TTC000SA009	TRUNNION	1	X	
4	SEC020MF001	ROTARY SEAL - O.D. 20.15 mm , I.D. 17.03 mm , H. 2.4 mm HPU-R95	2	X	✓
5	BLC004JD012	SOCKET CAP HD SCREW M4 x 12	1	X	
6	SEC018MF001	ROTARY SEAL - O.D. 18.02 mm , I.D. 15.03 mm , H. 2.4 mm HPU-R95	2	X	✓
7	BPC003TS001	PLUG	1	X	
8	FAS005ME006	SOCKET CUP PT SCREW M5 x 6	1	X	
9	FAS005ME010	SOCKET CUP PT SCREW M5 x 10	1	X	
10	HF7	1/4" NPT MALE ADAPTOR	2	X	
11	CM4F	COUPLER	1		
12	CF4F	COUPLER	1		



IMPORTANT

WHEN ORDERING SPARES YOU MUST STATE THE FULL PART NUMBER AND THE PRODUCT SERIAL NUMBER - FROM THE LABEL TO PROTECT YOUR WARRANTY ALWAYS USE GENUINE HI-FORCE PARTS.



NOTE:

- ALL PARTS ARE **ONLY** AVAILABLE TO BE ORDERED AS PART OF THE SERVICE KIT.

ITEM NO.	PART NUMBER	DESCRIPTION	QTY.	REVISION
1	SEC041GA001	PISTON T SEAL - O.D. 41.28 mm, I.D. 34.93 mm, H 4.70 mm, NBR/NYLON 70 SHORE	1	1 6484
2	SEC044RE001	O-RING - I.D. 44.04 mm, C.S. 3.53 mm, NITRILE 90 SHORE	1	2
3	SEC041RA001	O-RING - I.D. 36.17 mm, C.S. 2.62 mm 90 SHORE	1	3
4	SEC041BA001	BACK UP RING - O.D. 41.28 mm, I.D. 36.50 mm, H 1.37 mm PTFE	1	4
5	SEC025LE001	ROD LIP SEAL - O.D. 33 mm, I.D. 25.00 mm, H 3.75 mm, POLYURETHANE	1	5
6	SEC025MF001	ROTARY SEAL - O.D. 25.01 mm, I.D. 21.87 mm, H. 2.4 mm HPU-R95	3	6
7	SEC009RA003	O-RING - I.D. 5.28 mm, C.S. 1.78 mm NITRILE 70	2	7
8	STC040TA001	RETAINING RING	2	8
9	SEC018MF001	ROTARY SEAL - O.D. 18.02 mm, I.D. 15.03 mm, H. 2.4 mm HPU-R95	2	9
10	SEC020MF001	ROTARY SEAL - O.D. 20.15 mm, I.D. 17.03 mm, H. 2.4 mm HPU-R95	2	10

IMPORTANT

WHEN ORDERING SPARES YOU MUST STATE THE FULL PART NUMBER AND THE PRODUCT SERIAL NUMBER - FROM THE LABEL TO PROTECT YOUR WARRANTY ALWAYS USE GENUINE HI-FORCE PARTS.